

INSTALLATION INSTRUCTIONS

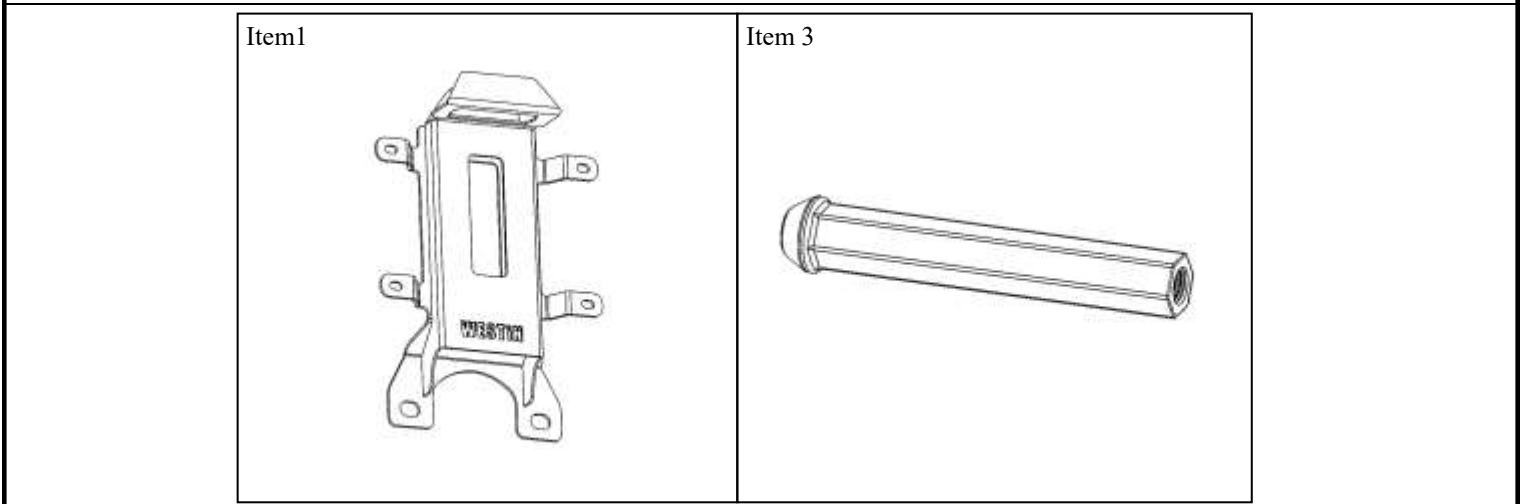
LICENSE PLATE RELOCATOR KIT



APPLICATION:
2021-2022 Ford Bronco
PART NUMBER:
58-420055

CONTENT			
ITEM	QUANTITY	DESCRIPTION	TOOLS NEEDED
1	1	LICENSE PLATE RELOCATOR BRACKET	19 MM SOCKET
2	10	ZIP TIES	RATCHET
3	2	M12 STANDOFF SPACER	TORQUE WRENCH
4	4	M6 BUTTON HEAD HEX SOCKET BOLT	19MM WRENCH
5	4	M6 FLAT WASHER	4MM ALLEN
6	4	M6 SERRATED FLANGE HEX NUT	WIRE CUTTERS
7	2	M12 BUTTON HEAD BOLT	WIRE CRIMPER
8	2	M12 SPLIT LOCK WASHER	ELECTRICAL TAPE
9	2	M12 FLAT WASHER	
10	1	WIRING HARNESS EXTENSION	
11	2	BUTT CONNECTORS	

ANTI-SEIZE LUBRICANT MUST BE USED ON ALL STAINLESS STEEL FASTENERS TO PREVENT THREAD DAMAGE AND GALLING



PROCEDURE

1. Remove contents from box, verify if all parts listed are present and free from damage.
Carefully read and understand all instructions before attempting installation.
Failure to identify damage before installation could lead to a rejection of any claim.

2. Remove the wheel from the vehicle's wheel mount on the tailgate.
3. Locate and remove the plastic trim on the inner side of the tailgate to expose the OEM wiring harness. See **Figure 1** for reference.
4. Locate and route the LED Light Wiring Harness Extension through the tailgate as shown in **Figure 2 and 3**.
5. Route the wiring harness extension through the tailgate opening to the outside of the tailgate. See **Figures 2 through 5** for reference. And connect to the opposite side to the OEM bumper harness. There is one connector with only two wires going to it. (Do not confuse with parking sensor connector, those have 3 wires going to them) See **Figure 2**.



Figure 1



Figure 2

OE license plate light connector on bumper harness.



Figure 3



Westin Automotive Products, Inc.
320 W. Covina Blvd
San Dimas, Ca. 91773

Thank you for choosing Westin products
for additional installation assistance please call
Customer Service (800) 793-7846
www.westinautomotive.com

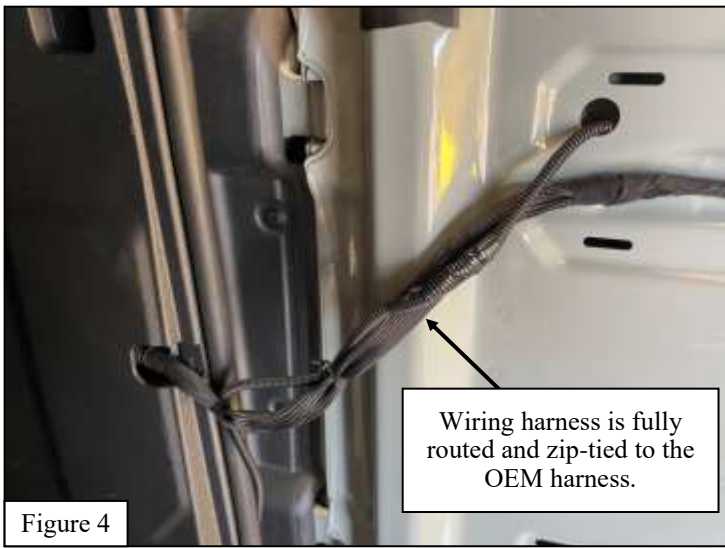


Figure 4



Figure 5

5. Remount the wheel onto the vehicle's wheel mount on the tailgate using the supplied M12 Standoff Spacers (Item 3) on the two upper mounting locations.
6. Mount the License Plate Relocator Bracket onto the spacers using the supplied M12 hardware. See **Figure 6** for reference.

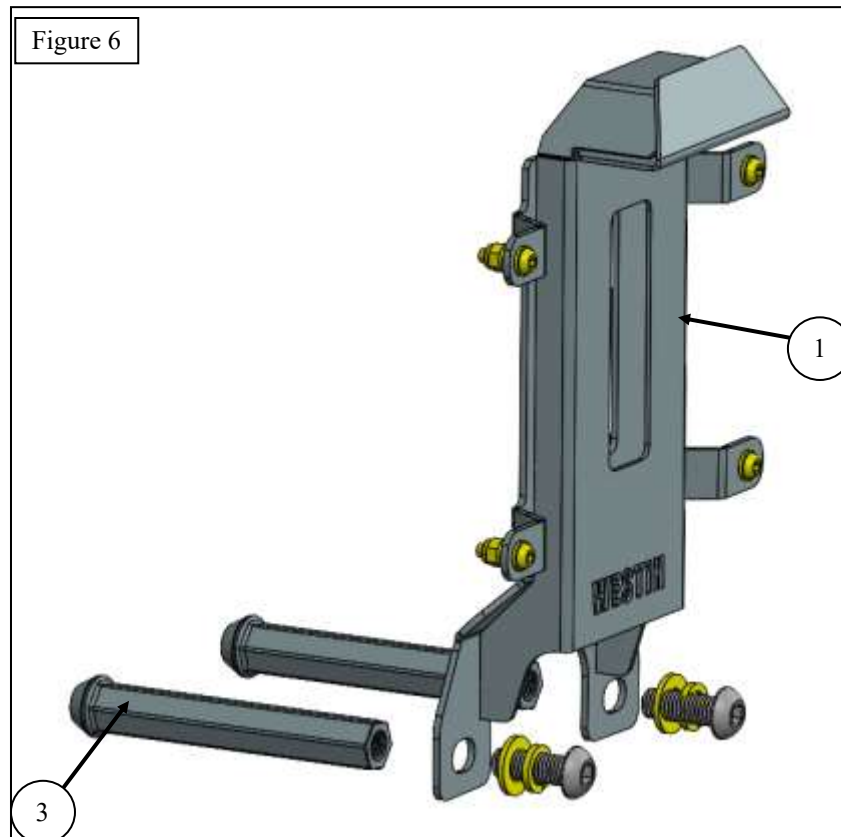


Figure 6

7. With the wheel and License Plate Relocator Bracket mounted, route the LED Light Harness up to the opening shown in **Figure 7** and plug in the LED Light. The connector will need to be cut off the harness extender supplied, and it will need to be connected to the license plate light small connector.
8. Mount the LED Light to the License Plate Relocator Bracket by pressing the light into the rectangular opening and making sure the side plastic clips engage with the bracket.
9. Using the supplied M6 hardware, mount your license plate to the bracket.
10. Reinstall the inner plastic trim onto the tailgate and make sure the harnesses are not pinched anywhere.



CARE INSTRUCTIONS

- REGULAR WAXING IS RECOMMENDED. DO NOT USE ANY TYPE OF POLISH OR WAX THAT MAY CONTAIN ABRASIVES.
- STAINLESS STEEL PRODUCTS CAN BE CLEANED WITH MILD SOAP AND WATER. STAINLESS STEEL POLISH SHOULD BE USED TO POLISH SMALL SCRATCHES.
- GLOSS BLACK FINISHES SHOULD BE CLEANED WITH MILD SOAP AND WATER.

WESTIN

Westin Automotive Products, Inc.
320 W. Covina Blvd
San Dimas, Ca. 91773

INSTALLATION COMPLETE



Westin Automotive Products, Inc.
320 W. Covina Blvd
San Dimas, Ca. 91773

Thank you for choosing Westin products
for additional installation assistance please call
Customer Service (800) 793-7846
www.westinautomotive.com



WARNING



Failure to follow these instructions could lead to death, personal injury, and / or property damage.

Failure to follow these instructions could lead to death, personal injury, and / or property damage.

FASTENERS:

All Westin supplied fasteners must be utilized and installed in accordance with the installation instructions and apply torque to the specifications as defined. **DOUBLE CHECK ALL FASTENERS BEFORE INITIAL USE, AND PERIODICALLY IN THE FUTURE TO ENSURE PROPER FUNCTION AND SAFETY.**

DRILLING:

Most Westin products do not require drilling for installation. If drilling is defined as required, use caution when drilling a vehicle. **FAILURE TO REVIEW AN AREA TO BE DRILLED MAY RESULT IN PERSONAL INJURY AND/OR INJURY TO OTHERS AS WELL AS VEHICLE DAMAGE.**

EYE PROTECTION:

ALWAYS WEAR SAFETY GLASSES OR GOGGLES DURING THE INSTALLATION PROCESS TO AVOID PERSONAL INJURY.

MAXIMUM TOWING/CARRYING CAPACITY: (if applicable)

The Westin Receiver Hitches will have a visible tow rating label affixed directly on the product. User should never exceed the vehicle manufacturers maximum tow and weight rating regardless of the capacity of the hitch. **FAILURE TO FOLLOW THESE GUIDELINES WILL VOID THE WESTIN WARRANTY AND MAY RESULT IN PERSONAL INJURY AND/OR INJURY TO OTHERS AS WELL AS VEHICLE DAMAGE.**

FOR CALIFORNIA RESIDENTS ONLY-PROP 65 WARNING:

Some products may contain chemicals such as DEHP, which can cause cancer, birth defects or other reproductive harm. For more info go to www.p65warnings.ca.gov



Westin Automotive Products, Inc.
320 W. Covina Blvd
San Dimas, Ca. 91773