

INSTALLATION INSTRUCTIONS



Outlaw Nerf Step

APPLICATION:

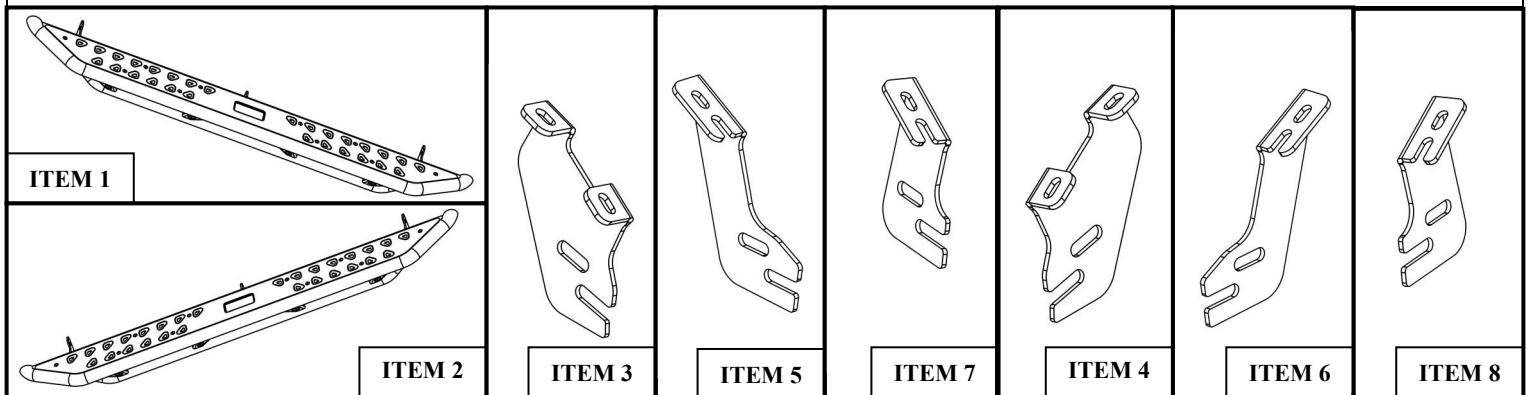
Toyota 4Runner SR5 / TRD / TRD Pro 2014-2019 (Excl Limited & Nightshade)
Toyota 4Runner Trail Edition 2010-2017 (Excl Limited)

PART NUMBER:

58-53835

ITEM	QUANTITY	DESCRIPTION	TOOLS NEEDED
1	1	DRIVER STEP BAR	12MM SOCKET
2	1	PASSENGER STEP BAR	13MM SOCKET
3	1	DRIVER FRONT MOUNT BRACKET	HEX KEY TOOL
4	1	PASSENGER FRONT MOUNT BRACKET	RATCHET
5	1	DRIVER CENTER MOUNT BRACKET	TORQUE WRENCH
6	1	PASSENGER CENTER MOUNT BRACKET	
7	1	DRIVER REAR MOUNT BRACKET	
8	1	PASSENGER REAR MOUNT BRACKET	
9	12	M8 HEX HEAD CAP SCREWS (YELLOW ZINC)	
10	12	M8 FLAT WASHERS (YELLOW ZINC)	
11	12	M8 LOCK WASHERS (YELLOW ZINC)	
12	12	M10 HEX HEAD CAP SCREW (YELLOW ZINC)	
13	12	M10 CUP WASHER (YELLOW ZINC)	
14	12	M10 SERRATED FLANGE NUT (YELLOW ZINC)	

ANTI-SEIZE LUBRICANT MUST BE USED ON ALL STAINLESS STEEL FASTENERS TO PREVENT THREAD DAMAGE AND GALLING



PROCEDURE

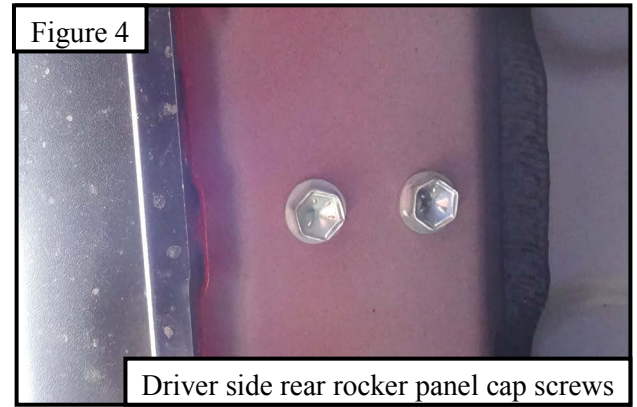
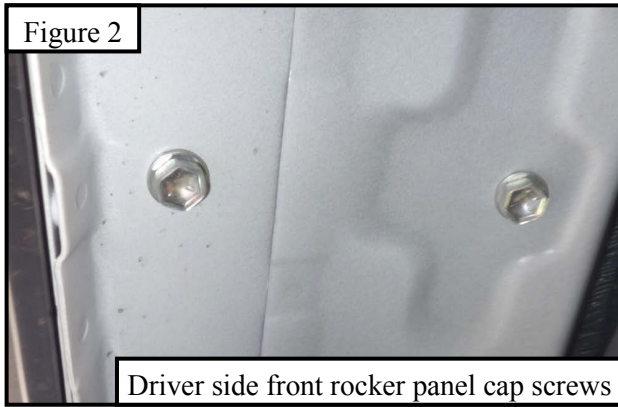
1. Remove contents from box, verify if all parts listed are present and free from damage.
Carefully read and understand all instructions before attempting installation.
Failure to identify damage before installation could lead to a rejection of any claim.



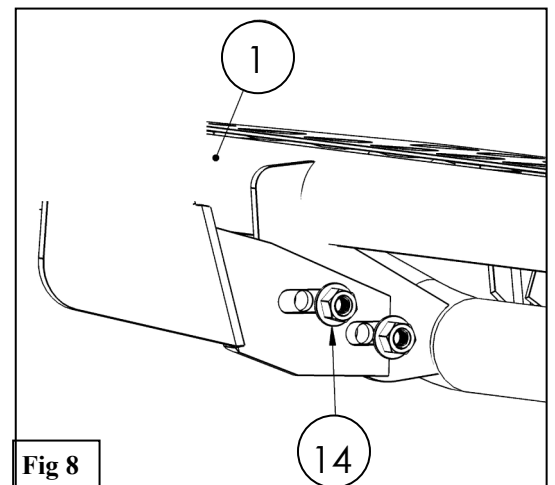
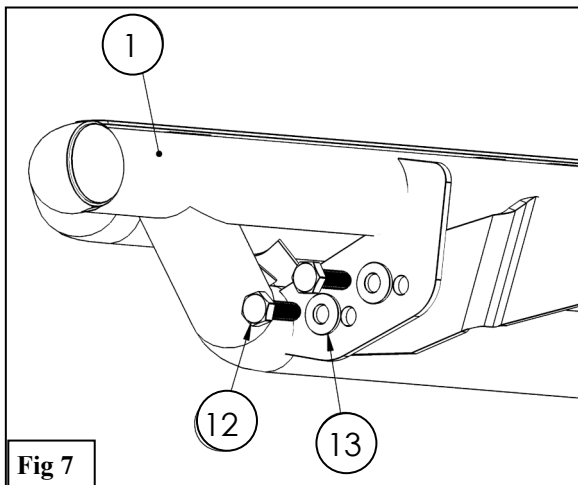
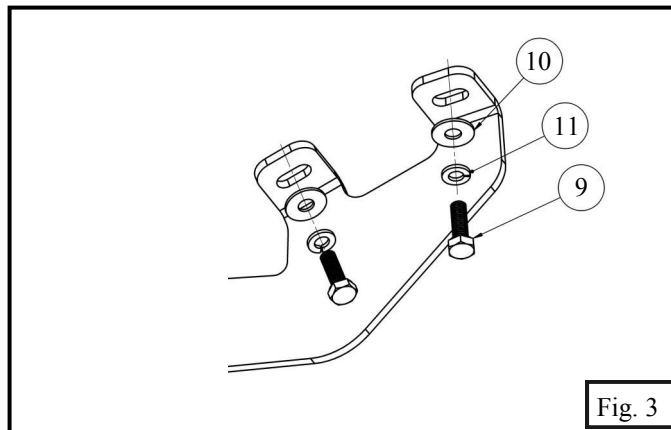
Westin Automotive Products, Inc.
320 W. Covina Blvd
San Dimas, Ca. 91773

Thank you for choosing Westin products
for additional installation assistance please call
Customer Service (800) 793-7846

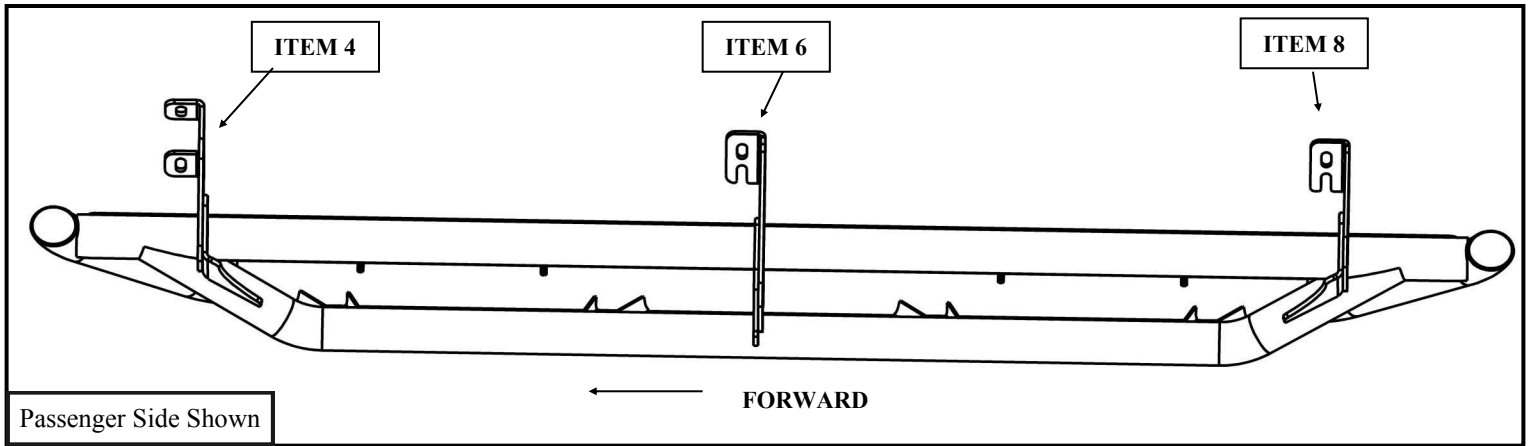
- Starting at the driver side front use 12mm socket to remove the two rocker panel bracket hex cap screws. Repeat same process for center and rear brackets. See **Figures 1 & 2**



- Locate Front Mount Bracket (Item 2) and loosely install using supplied M8 hardware. Repeat for all other mount locations. See **Figure 3**
- Before installing board to the previously installed brackets tilt backwards for easy entry into mount location. See **Figure 4**



- Loosely install board to previously mounted brackets with supplied M10 hardware. See Figures 5 (Note: See **Figures 6 & 7** for bracket orientation).
- Align and adjust to preferred fitment then torque all M8 hardware to 16 ft-lbs, M10 to 32 ft-lbs.



Care Instructions

- REGULAR WAXING IS RECOMMENDED. DO NOT USE ANY TYPE OF POLISH OR WAX THAT MAY CONTAIN ABRASIVES.
- STAINLESS STEEL PRODUCTS CAN BE CLEANED WITH MILD SOAP AND WATER. STAINLESS STEEL POLISH SHOULD BE USED TO POLISH SMALL SCRATCHES.
- GLOSS BLACK FINISHES SHOULD BE CLEANED WITH MILD SOAP AND WATER.



Westin Automotive Products, Inc.
320 W. Covina Blvd
San Dimas, Ca. 91773



WARNING



Failure to follow these instructions could lead to death, personal injury, and / or property damage.

Failure to follow these instructions could lead to death, personal injury, and / or property damage.

FASTENERS:

All Westin supplied fasteners must be utilized and installed in accordance with the installation instructions and apply torque to the specifications as defined. **DOUBLE CHECK ALL FASTENERS BEFORE INITIAL USE, AND PERIODICALLY IN THE FUTURE TO ENSURE PROPER FUNCTION AND SAFETY.**

DRILLING:

Most Westin products do not require drilling for installation. If drilling is defined as required, use caution when drilling a vehicle. **FAILURE TO REVIEW AN AREA TO BE DRILLED MAY RESULT IN PERSONAL INJURY AND/OR INJURY TO OTHERS AS WELL AS VEHICLE DAMAGE.**

EYE PROTECTION:

ALWAYS WEAR SAFETY GLASSES OR GOGGLES DURING THE INSTALLATION PROCESS TO AVOID PERSONAL INJURY.

MAXIMUM TOWING/CARRYING CAPACITY: (if applicable)

The Westin Receiver Hitches will have a visible tow rating label affixed directly on the product. User should never exceed the vehicle manufacturers maximum tow and weight rating regardless of the capacity of the hitch. **FAILURE TO FOLLOW THESE GUIDELINES WILL VOID THE WESTIN WARRANTY AND MAY RESULT IN PERSONAL INJURY AND/OR INJURY TO OTHERS AS WELL AS VEHICLE DAMAGE.**

FOR CALIFORNIA RESIDENTS ONLY-PROP 65 WARNING:

Some products may contain chemicals such as DEHP, which can cause cancer, birth defects or other reproductive harm. For more info go to www.p65warnings.ca.gov



Westin Automotive Products, Inc.
320 W. Covina Blvd
San Dimas, Ca. 91773