

# INSTALLATION INSTRUCTIONS

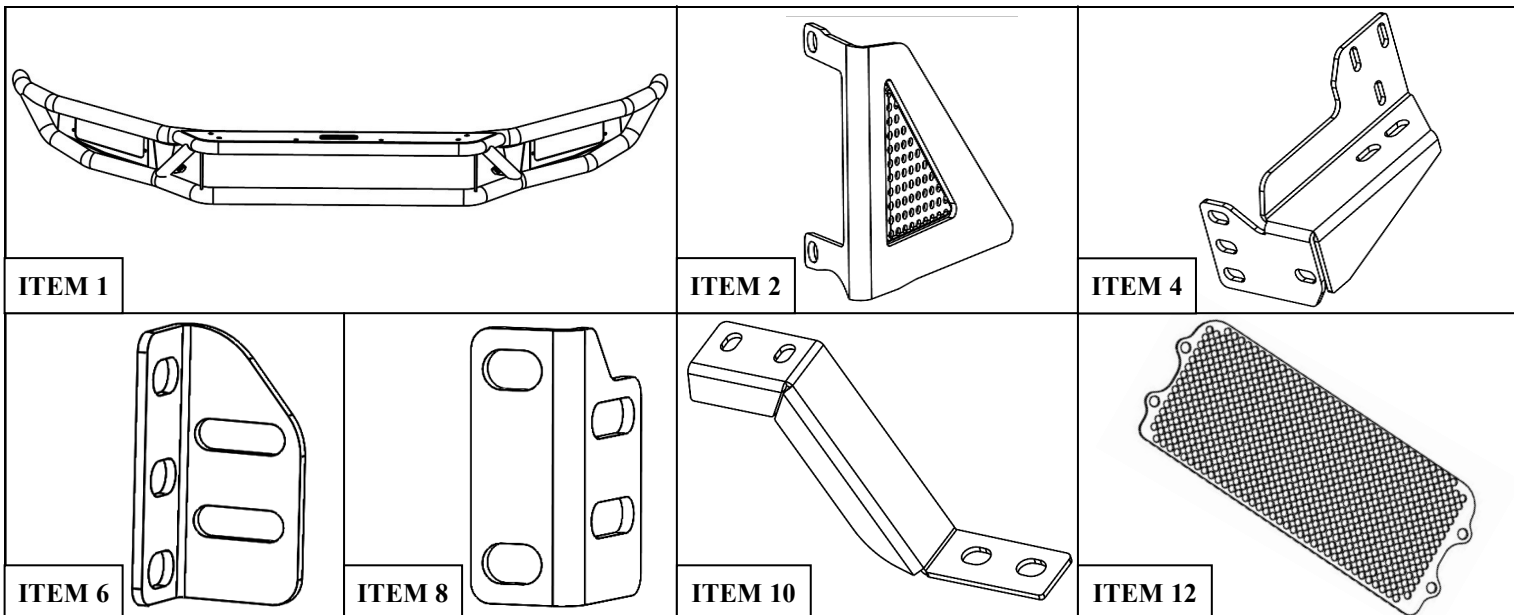
## OUTLAW FRONT BUMPER



**APPLICATION:**  
2014-2018 TOYOTA TUNDRA  
**PART NUMBER:**  
58-61035

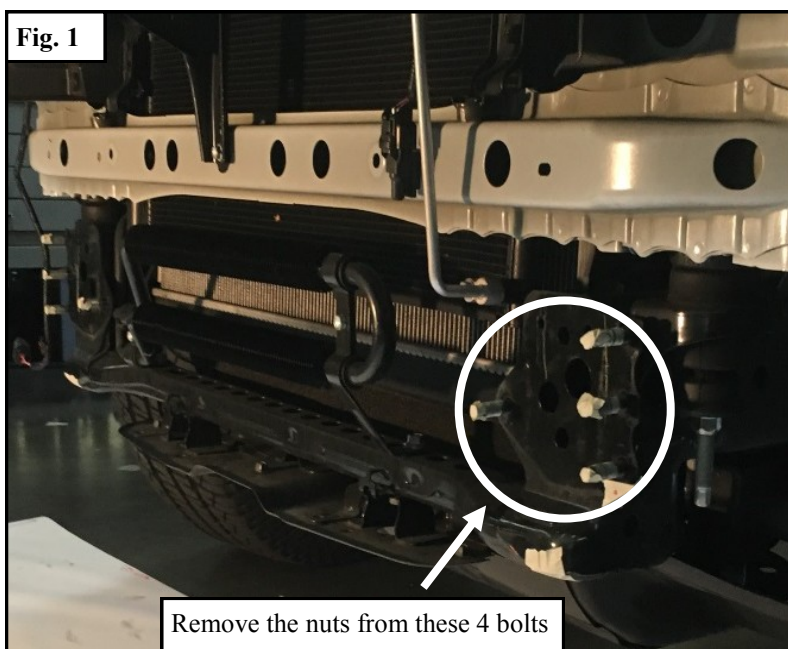
CONTENT			
ITEM	QUANTITY	DESCRIPTION	TOOLS NEEDED
1	1	FRONT BUMPER ASSEMBLY	18MM WRENCH
2,3	2	MESHED CORNER COVER, DRIVER (2) AND PASSENGER (3)	5MM ALLEN WRENCH
4,5	2	FRAME BRACKET, DRIVER (4) AND PASSENGER (5)	13MM SOCKET
6,7	2	LED SLIDER BRACKET, DRIVER (6) AND PASSENGER (7)	17MM SOCKET
8,9	2	LED L-BRACKET, DRIVER (8) AND PASSENGER (9)	19MM SOCKET
10,11	2	SUPPORT BRACKET, DRIVER (10) AND PASSENGER (11)	13MM WRENCH
12	2	MESHED SIDE LED COVER (BLACK ZINC)	17MM WRENCH
13	10	M10 HEX HEAD BOLT (BLACK ZINC)	19MM WRENCH
14	16	M10 FLAT WASHER (BLACK ZINC)	10MM SOCKET
15	6	M10 SPLIT LOCK WASHER (BLACK ZINC)	10MM WRENCH
16	6	M10 HEX NUT (BLACK ZINC)	PLYER TOOL
17	4	M10 SERRATED FLANGE NUT (BLACK ZINC)	RATCHET
18	4	M14 FLAT WASHER (BLACK ZINC)	TORQUE WRENCH
19	2	M6 CARRIAGE BOLT (BLACK ZINC)	
20	2	M6 HEX NUT (BLACK ZINC)	
21	2	M6 SPLIT LOCK WASHER (BLACK ZINC)	
22	2	M6 FLAT WASHER (BLACK ZINC)	
23	8	M8 CARRIAGE BOLT (BLACK ZINC)	
24	8	M8 HEX NUT (BLACK ZINC)	
25	8	M8 SPLIT LOCK WASHER (BLACK ZINC)	
26	12	M8 FLAT WASHER (BLACK ZINC)	
27	4	M8 BUTTON HEAD BOLT (BLACK ZINC)	
28	4	M8 SERRATED FLANGE NUT (BLACK ZINC)	

**ANTI-SEIZE LUBRICANT MUST BE USED ON ALL STAINLESS STEEL FASTENERS TO PREVENT THREAD DAMAGE AND GALLING**

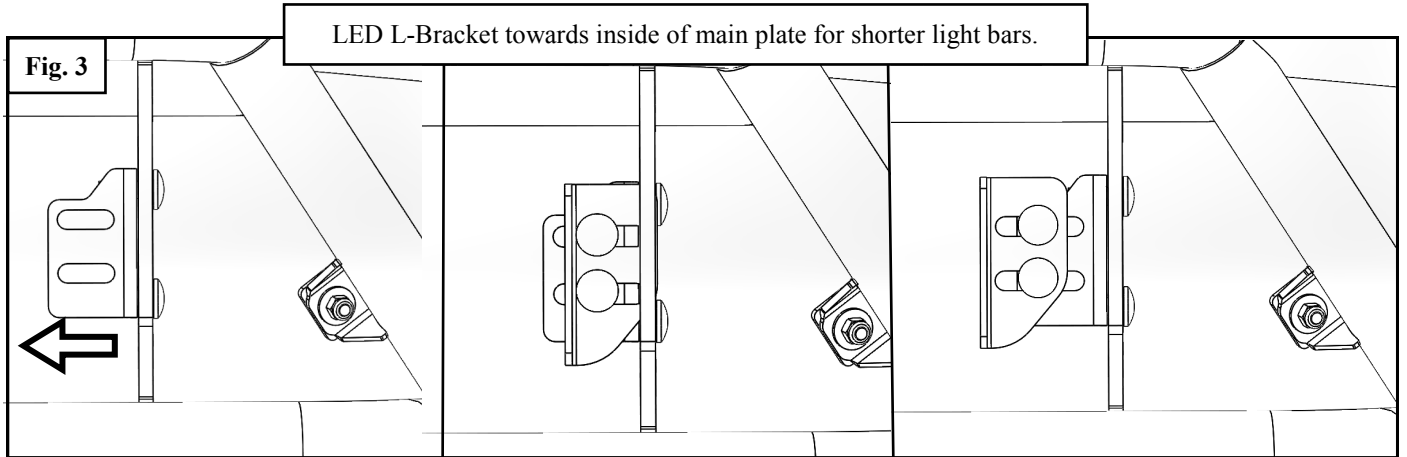
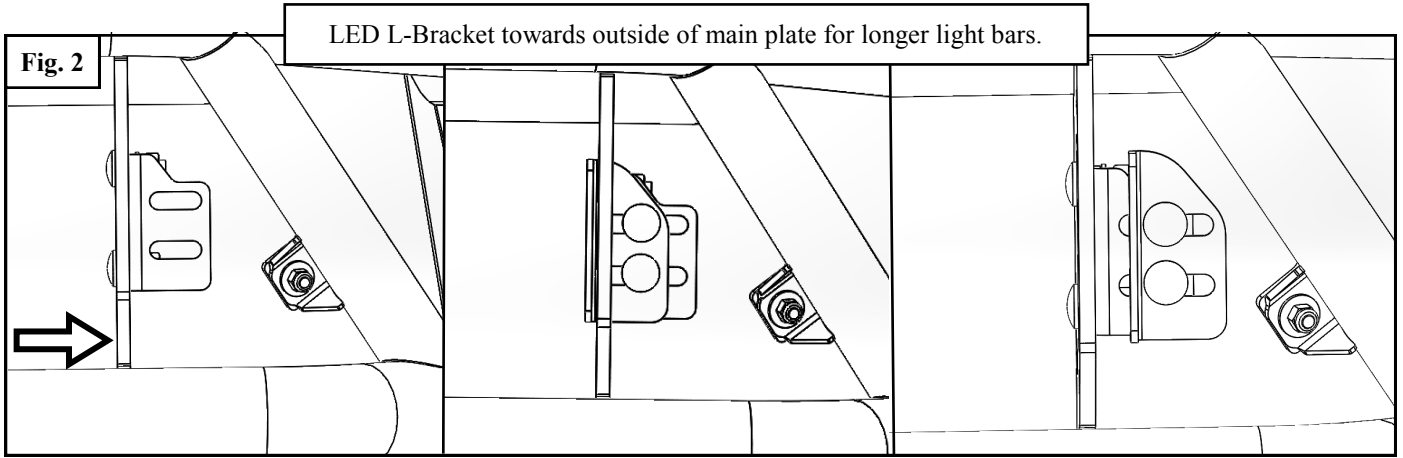


### PROCEDURE

1. Remove contents from box, verify if all parts listed are present and free from damage.  
Carefully read and understand all instructions before attempting installation.  
**Failure to identify damage before installation could lead to a rejection of any claim.**
2. Remove stock bumper.
  - a. Remove plastic valence from the front of each wheel well by removing the plastic clips with a pry tool.
  - b. Disconnect all electrical connections to the bumper.
  - c. Remove the lower valence from the bottom of the bumper by removing the three screws holding it place.
  - d. Remove the tow hooks **Note:** factory tow hooks will be reused. Save associated hardware.
  - e. Remove the four nuts indicated in **Figure 1** from the driver's side of the vehicle. Repeat procedure on the passenger's side. **Note:** Save the hardware from these eight bolts.
  - f. Remove stock bumper.

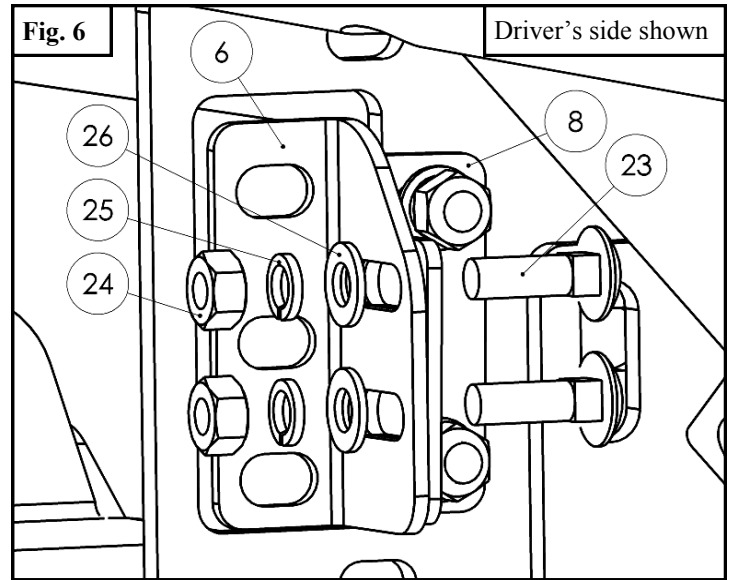
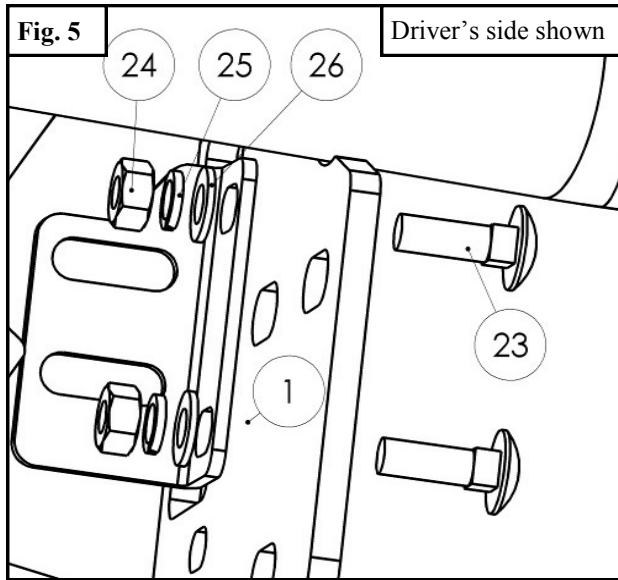


3. Loosely install the frame brackets onto the bolts indicated in **Figure 1** using the hardware saved from **Step 2e**.
  4. Proceed to install center light bar brackets and light bar (s). The LED brackets (6-9) can be mounted in different configurations in order to have the necessary adjustment for various “30” inch light bar overall lengths. See **Figure 2-4**.
- Note:* Lights sold separately.

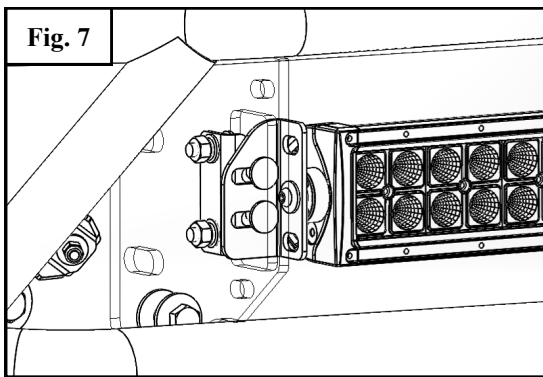


**Figure 4** is an example showing the LED brackets adjusted in for the shortest light bar configuration.

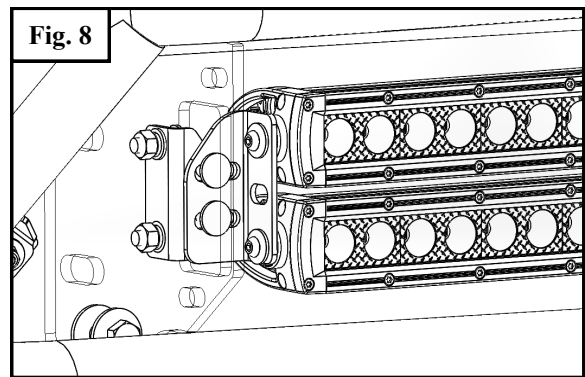
- Using the supplied M8 hardware (23-26), loosely fasten LED L-Brackets (8 & 9) to main plate. See **Figure 5**.
- Using the supplied M8 hardware (23-26), loosely fasten LED Slider Bracket (6 & 7) to LED L-Bracket. See **Figure 6**.



- Using hardware included in the LED light bar hardware kit, fasten light bar to slider brackets according to **Figures 7 & 8**.
- Position light bar as desired and tighten all M8 hardware to 15-18 ft-lbs.

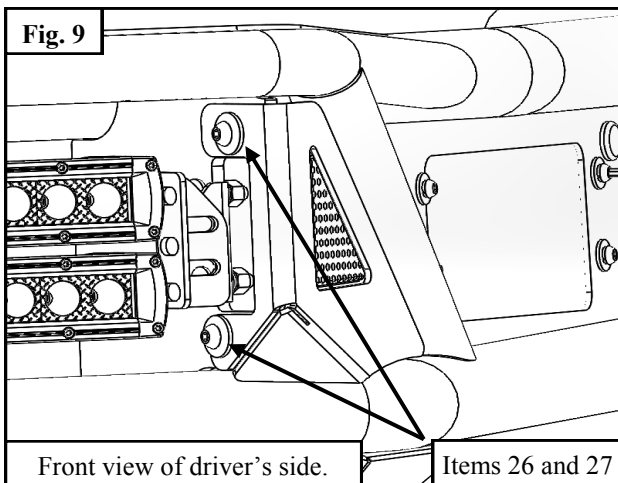


Single "Double Row" Light Bar Configuration

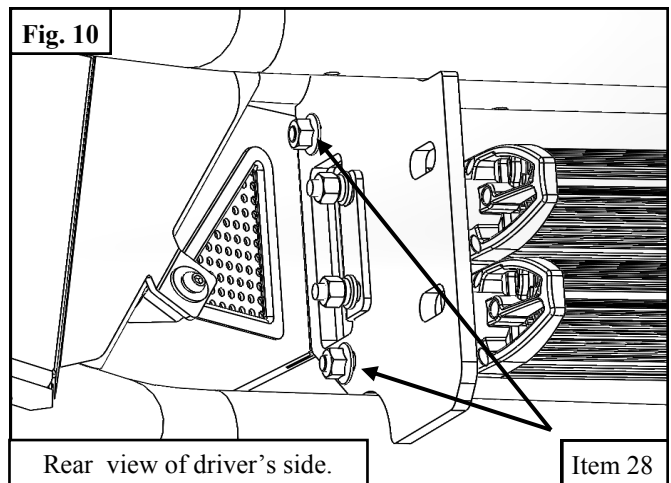


Double "Single Row" Light Bar Configuration

- Position the meshed corner covers (3 & 4) as seen in **Figures 9 & 10**.

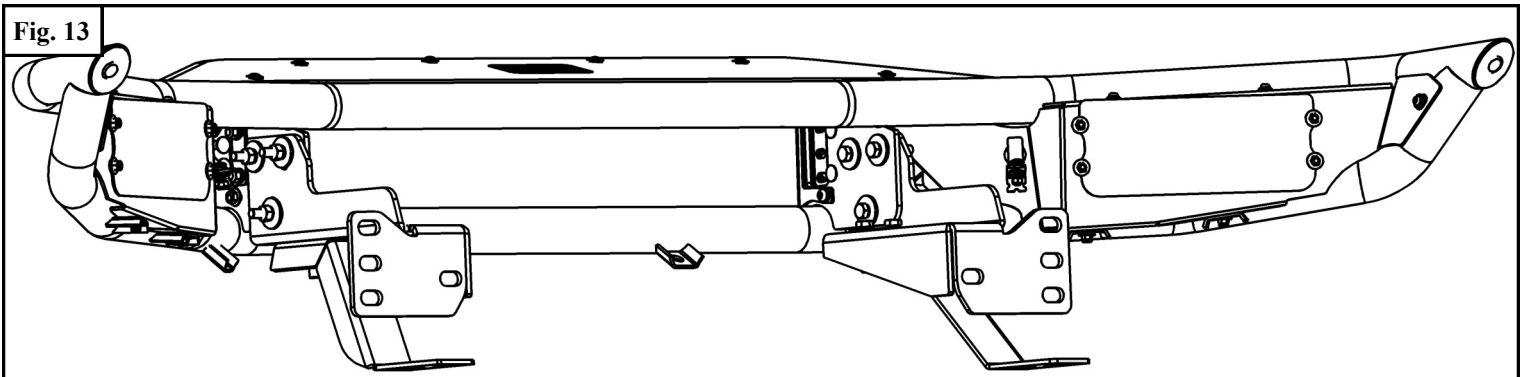
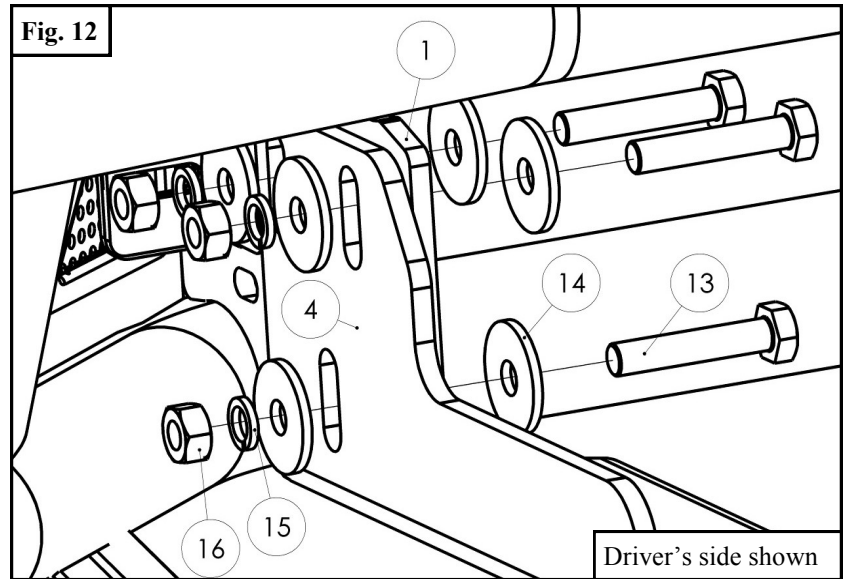
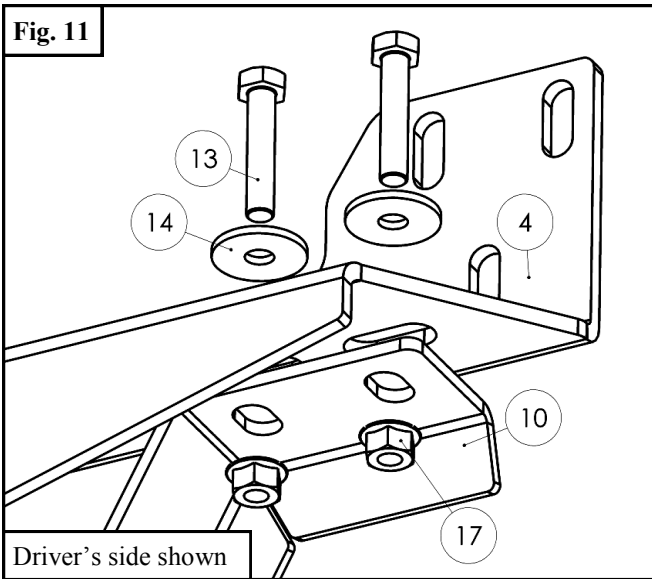


Front view of driver's side. Items 26 and 27



Rear view of driver's side. Item 28

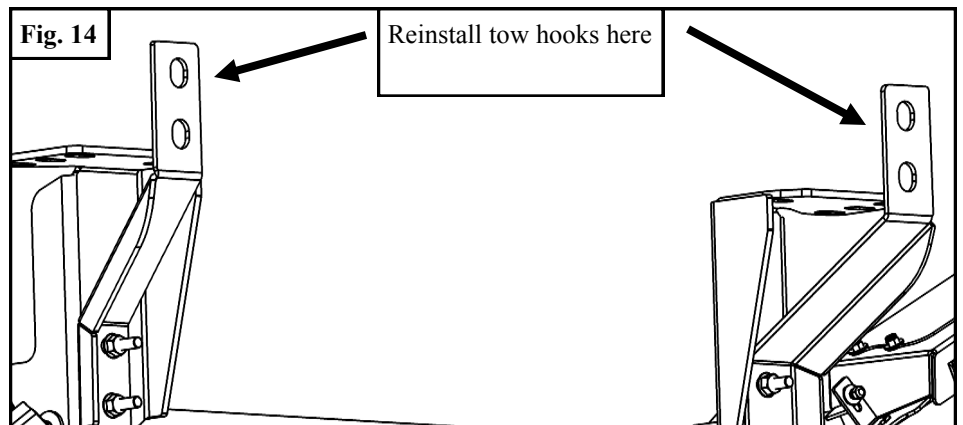
10. Using M8 serrated flange hex nuts (28), fasten corner cover into position. The serration on the nut should lock the nut in position allowing the installer to tighten button head bolts from the front using a 5mm Allen wrench. See **Figure 10**.
11. Loosely install support brackets (10 & 11) using the M10 serrated flange nuts (17), M10 flat washers (14), and M10 hex head bolts (13) according to **Figure 11**.
12. Using supplied M10 hardware (13-16), mount front bumper assembly to frame brackets according to **Figures 12 & 13**.



13. Tighten all M10 hardware to 30-35 ft-lbs.

**Optional Step:**

If the skid plate is **not** used, reinstall factory tow hooks with original hardware in the positions indicated in **Figure 14**.



## INSTALLATION COMPLETE



### CARE INSTRUCTIONS

- REGULAR WAXING IS RECOMMENDED. DO NOT USE ANY TYPE OF POLISH OR WAX THAT MAY CONTAIN ABRASIVES.
- STAINLESS STEEL PRODUCTS CAN BE CLEANED WITH MILD SOAP AND WATER. STAINLESS STEEL POLISH SHOULD BE USED TO POLISH SMALL SCRATCHES.
- GLOSS BLACK FINISHES SHOULD BE CLEANED WITH MILD SOAP AND WATER.

**WESTIN**

Westin Automotive Products, Inc.  
320 W. Covina Blvd  
San Dimas, Ca. 91773

Thank you for choosing Westin products  
for additional installation assistance please call  
Customer Service (800) 793-7846

[www.westinautomotive.com](http://www.westinautomotive.com)



## WARNING



Failure to follow these instructions could lead to death, personal injury, and / or property damage.

### FASTENERS:

All Westin supplied fasteners must be utilized and installed in accordance with the installation instructions and apply torque to the specifications as defined. **DOUBLE CHECK ALL FASTENERS BEFORE INITIAL USE, AND PERIODICALLY IN THE FUTURE TO ENSURE PROPER FUNCTION AND SAFETY.**

### DRILLING:

Most Westin products do not require drilling for installation. If drilling is defined as required, use caution when drilling a vehicle. **FAILURE TO REVIEW AN AREA TO BE DRILLED MAY RESULT IN PERSONAL INJURY AND/OR INJURY TO OTHERS AS WELL AS VEHICLE DAMAGE.**

### EYE PROTECTION:

**ALWAYS WEAR SAFETY GLASSES OR GOGGLES DURING THE INSTALLATION PROCESS TO AVOID PERSONAL INJURY.**

### MAXIMUM TOWING/CARRYING CAPACITY:

The Westin Receiver Hitches will have a visible tow rating label affixed directly on the product. User should never exceed the vehicle manufacturers maximum tow and weight rating regardless of the capacity of the hitch. **FAILURE TO FOLLOW THESE GUIDELINES WILL VOID THE WESTIN WARRANTY AND MAY RESULT IN PERSONAL INJURY AND/OR INJURY TO OTHERS AS WELL AS VEHICLE DAMAGE.**



Westin Automotive Products, Inc.  
320 W. Covina Blvd  
San Dimas, Ca. 91773