

INSTALLATION INSTRUCTIONS

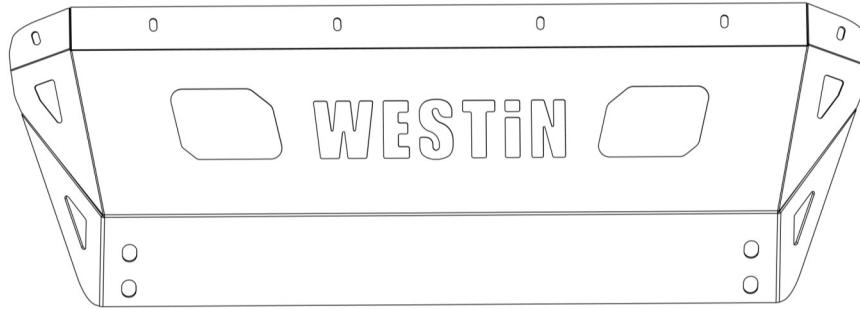
PRO-MOD SKID PLATE

WESTiN®

APPLICATION:
2014-2019 Toyota Tundra
PART NUMBER:
58-72015

CONTENT			
ITEM	QUANTITY	DESCRIPTION	TOOLS NEEDED
1	1	SKID PLATE	13MM SOCKET
2	4	M8 U-CLIP (YELLOW ZINC)	16MM WRENCH
3	4	M2 HEX HEAD BOLT (YELLOW ZINC)	RATCHET
4	4	M12 FLAT WASHER (YELLOW ZINC)	TORQUE WRENCH
5	6	M8 BUTTON HEAD BOLT (BLACK ZINC)	
6	8	M8 FLAT WASHER (BLACK ZINC)	
7	6	M8 SPLIT LOCK WASHER (BLACK ZINC)	
8	2	M8 SERRATED FLANGE NUT (BLACK ZINC)	

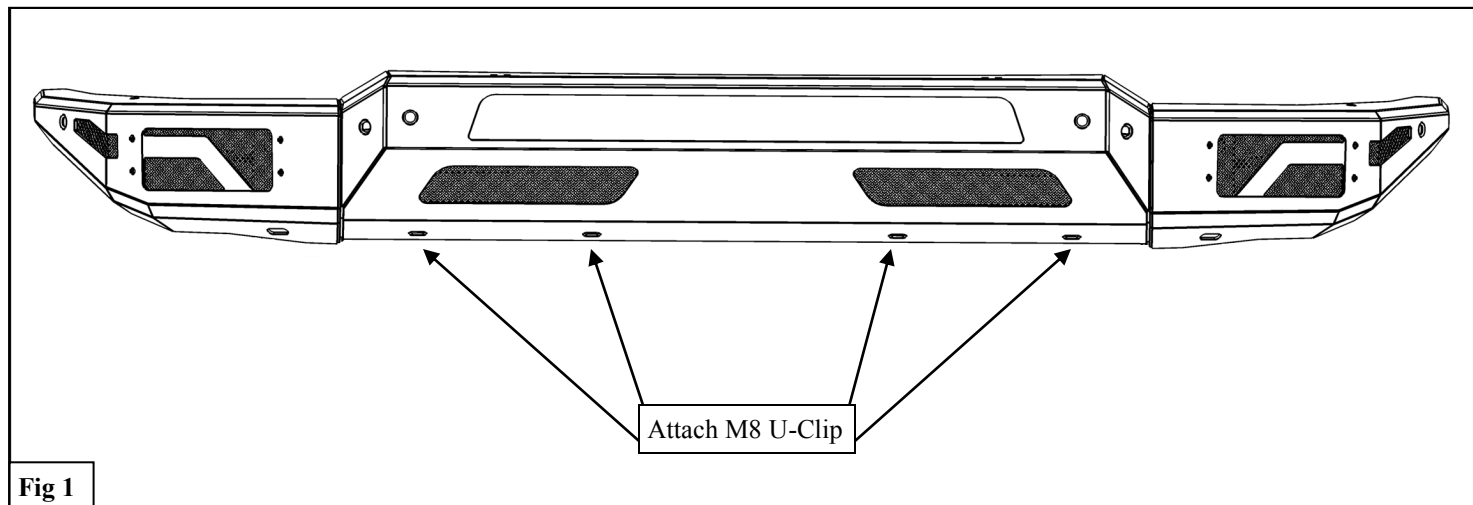
ANTI-SEIZE LUBRICANT MUST BE USED ON ALL STAINLESS STEEL FASTENERS TO PREVENT THREAD DAMAGE AND GALLING



ITEM 1

PROCEDURE

1. Remove contents from box, verify if all parts listed are present and free from damage.
Carefully read and understand all instructions before attempting installation.
Failure to identify damage before installation could lead to a rejection of any claim.
2. Attach the M8 U-Clips (2) to the pre-installed Pro-Mod Bumper (sold separately) in the locations shown in **Figure 1**.



3. Remove the factory tow hooks, as these will also be used by the Skid plate. See **Figure 3**
4. Lift the Skid Plate (1) into place and secure it using the supplied M8 and M12 Hardware. *Note: Be sure to re-attach factory tow hooks after loosely mounting skid plate with M8 hardware.* See **Figures 2-4**.

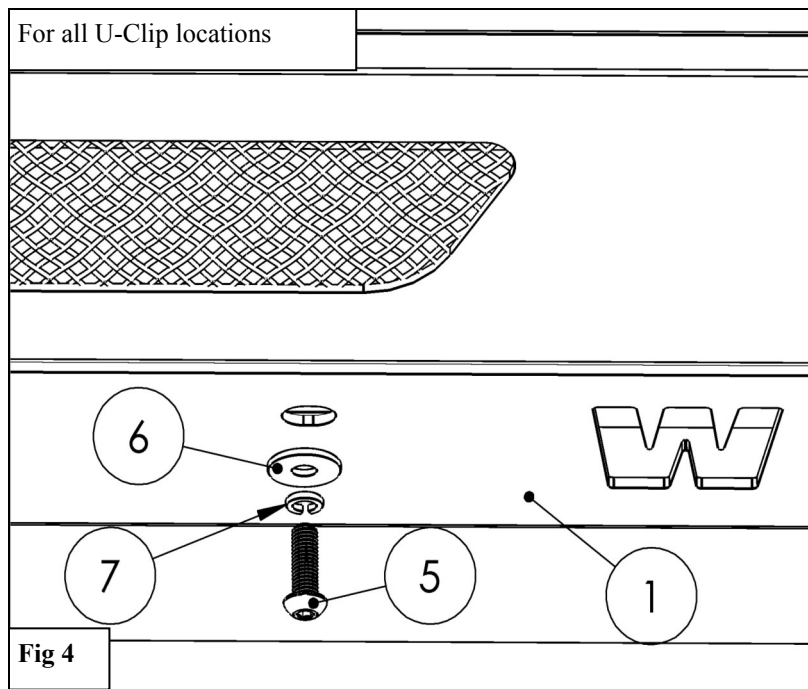
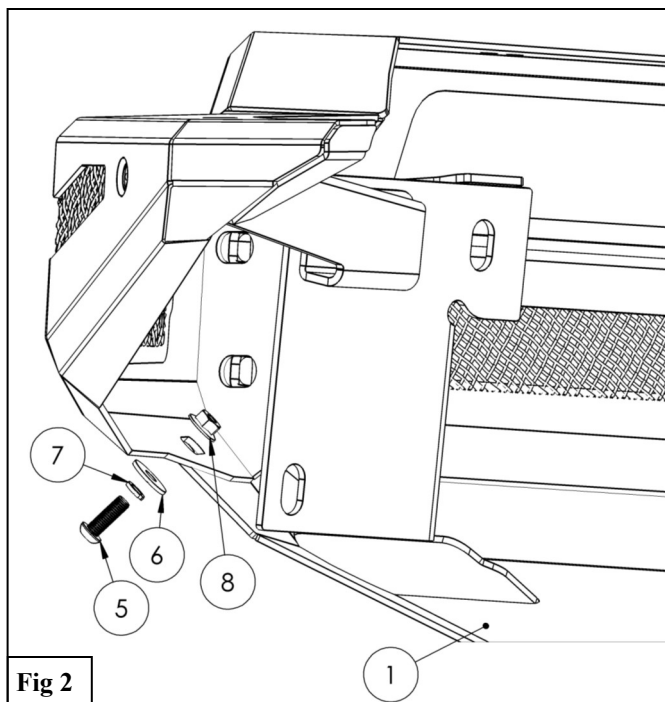




Fig 3

Remove factory tow hooks, then attach skid plate. Then re-attach factory tow hooks using supplied M12 hardware or OEM hardware.

5. Align and tighten all hardware as specified: M8 to 18 ft-lbs, M12 to 65 ft-lbs.

CARE INSTRUCTIONS

- REGULAR WAXING IS RECOMMENDED. DO NOT USE ANY TYPE OF POLISH OR WAX THAT MAY CONTAIN ABRASIVES.
- STAINLESS STEEL PRODUCTS CAN BE CLEANED WITH MILD SOAP AND WATER. STAINLESS STEEL POLISH SHOULD BE USED TO POLISH SMALL SCRATCHES.
- GLOSS BLACK FINISHES SHOULD BE CLEANED WITH MILD SOAP AND WATER

INSTALLATION COMPLETE



Bumper and Lights sold separately

WESTIN

Westin Automotive Products, Inc.
320 W. Covina Blvd
San Dimas, Ca. 91773

Thank you for choosing Westin products
for additional installation assistance please call
Customer Service (800) 793-7846

www.westinautomotive.com

DATE: 05/22/19



WARNING



Failure to follow these instructions could lead to death, personal injury, and / or property damage.

Failure to follow these instructions could lead to death, personal injury, and / or property damage.

FASTENERS:

All Westin supplied fasteners must be utilized and installed in accordance with the installation instructions and apply torque to the specifications as defined. **DOUBLE CHECK ALL FASTENERS BEFORE INITIAL USE, AND PERIODICALLY IN THE FUTURE TO ENSURE PROPER FUNCTION AND SAFETY.**

DRILLING:

Most Westin products do not require drilling for installation. If drilling is defined as required, use caution when drilling a vehicle. **FAILURE TO REVIEW AN AREA TO BE DRILLED MAY RESULT IN PERSONAL INJURY AND/OR INJURY TO OTHERS AS WELL AS VEHICLE DAMAGE.**

EYE PROTECTION:

ALWAYS WEAR SAFETY GLASSES OR GOGGLES DURING THE INSTALLATION PROCESS TO AVOID PERSONAL INJURY.

MAXIMUM TOWING/CARRYING CAPACITY: (if applicable)

The Westin Receiver Hitches will have a visible tow rating label affixed directly on the product. User should never exceed the vehicle manufacturers maximum tow and weight rating regardless of the capacity of the hitch. **FAILURE TO FOLLOW THESE GUIDELINES WILL VOID THE WESTIN WARRANTY AND MAY RESULT IN PERSONAL INJURY AND/OR INJURY TO OTHERS AS WELL AS VEHICLE DAMAGE.**

FOR CALIFORNIA RESIDENTS ONLY-PROP 65 WARNING:

Some products may contain chemicals such as DEHP, which can cause cancer, birth defects or other reproductive harm. For more info go to www.p65warnings.ca.gov



Westin Automotive Products, Inc.
320 W. Covina Blvd
San Dimas, Ca. 91773