

# INSTALLATION INSTRUCTIONS

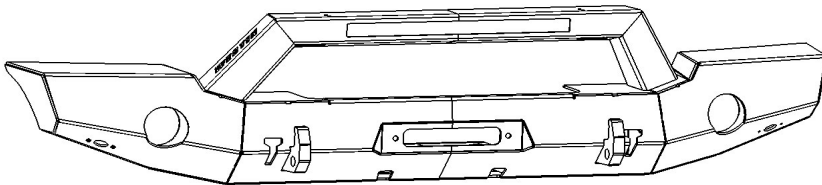
## WJ2 FULL-WIDTH FRONT BUMPER



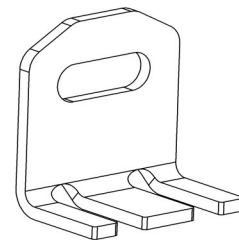
**APPLICATION:**  
Jeep Wrangler JL 2018-2022, Jeep Gladiator 2020-2022  
**PART NUMBER:**  
59-80105, 59-80115, 59-80125

CONTENT			
ITEM	QUANTITY	DESCRIPTION	TOOLS NEEDED
1	1	FRONT BUMPER ASSEMBLY	7MM SOCKET
2	2	LED MOUNTING BRACKET ( <i>P# 59-80125 only</i> )	7MM WRENCH
3	8	M10 FLAT WASHER	10MM SOCKET
4	8	M10 SPLIT LOCK WASHER	10MM WRENCH
5	4	M10 HEX HEAD CAP SCREW	13MM SOCKET
6	4	M10 HEX NUT	13MM WRENCH
7	4	M6 SERRATED FLANGE NUT ( <i>P# 59-80125 only</i> )	16MM SOCKET
8	4	M6 HEX SOCKET BUTTON HEAD BOLT ( <i>P# 59-80125 only</i> )	16MM WRENCH
9	4	M6 NYLOCK NUT	ALLEN WRENCH
10	4	SMALL M6 FLAT WASHER	RATCHET
11	4	M4 HEX NUT	TORQUE WRENCH
12	20	SMALL M4 FLAT WASHER	
13	4	M4 SPLIT LOCK WASHER	
14	4	SHORT M4 HEX SOCKET BUTTON HEAD SCREW	
15	6	LONG M4 HEX SOCKET BUTTON HEAD SCREW	
16	6	M4 HEX SOCKET CAP SCREW	
17	12	M4 NYLOCK NUT	
18	1	RUBBER GROMMET ( <i>P# 59-80105, 59-80115 only</i> )	
19	6	NYLON SPACER	
20	8	LARGE M4 FLAT WASHER	

**ANTI-SEIZE LUBRICANT MUST BE USED ON ALL STAINLESS STEEL FASTENERS TO PREVENT THREAD DAMAGE AND GALLING**



ITEM 1 (LED)



ITEM 2

## PROCEDURE

1. Remove contents from box, verify if all parts listed are present and free from damage. Carefully read and understand all instructions before attempting installation.  
**Failure to identify damage before installation could lead to a rejection of any claim.**
2. Unplug any wire connections to the bumper such as fog lights, sensors, etc.
3. Loosen the bolts securing the reinforcement brackets to the frame. See **Figure 1** for reference.



Figure 1

4. Remove the 4 OEM nuts on each side of the frame that secure the bumper to the vehicle. See **Figures 2 & 3** for reference.
5. Carefully remove the OEM front bumper from the vehicle. **Note:** Assistance may be needed.

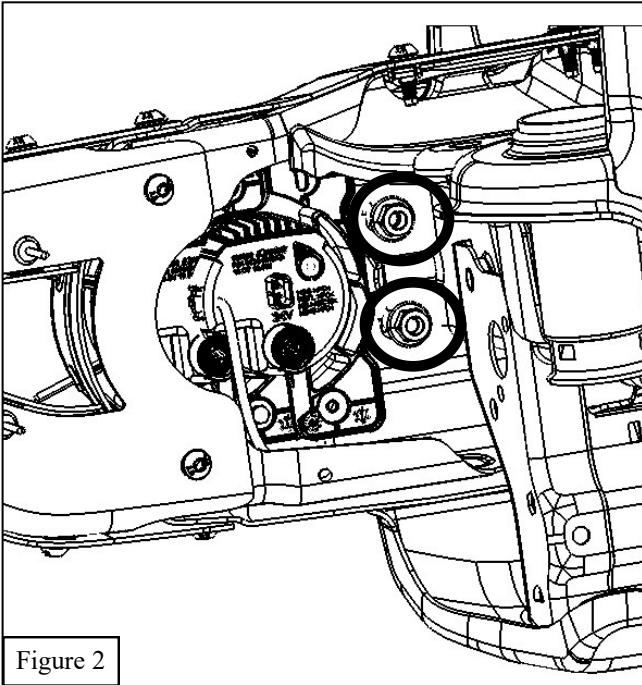


Figure 2

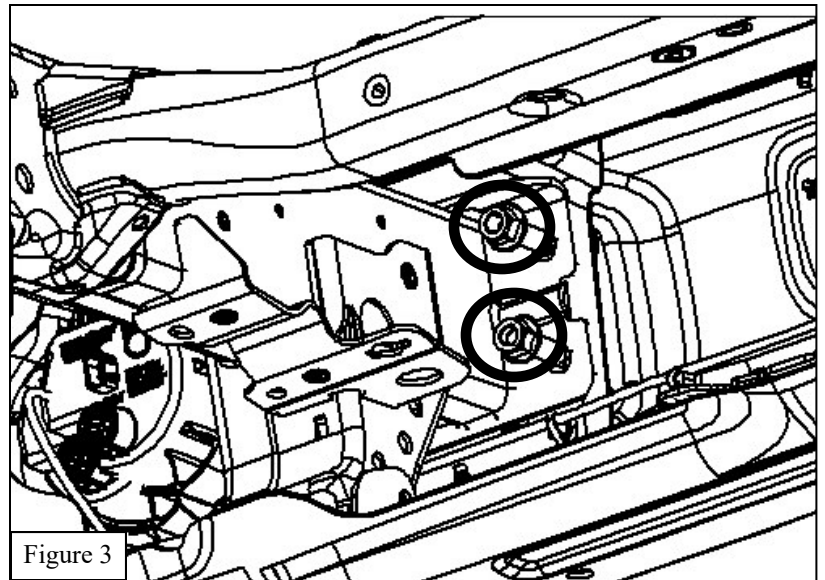
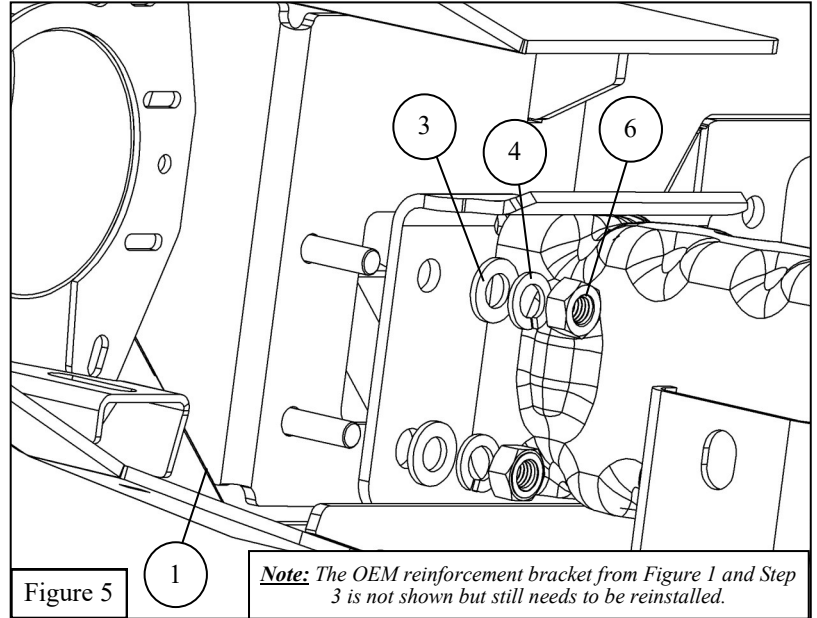
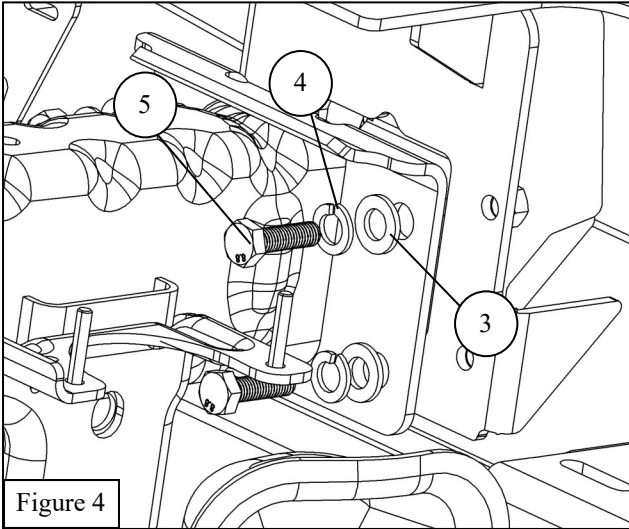


Figure 3

**WESTIN**

Westin Automotive Products, Inc.  
320 W. Covina Blvd  
San Dimas, Ca. 91773

6. Align the Front Bumper Assembly (Item 1) with the holes on the frame.
7. Use the supplied M10 Hardware (Items 3-6) to secure the bumper to the vehicle. See **Figures 4 & 5** for reference.
8. Tighten the reinforcement bracket bolts that were previously loosened in **Step 3** along with the OEM reinforcement bracket.
9. Tighten and torque all M6 Hardware to 5-7 ft lbs and the M10 hardware to 38 ft lbs.

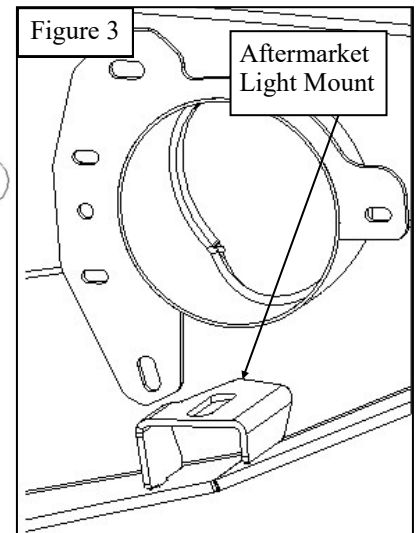
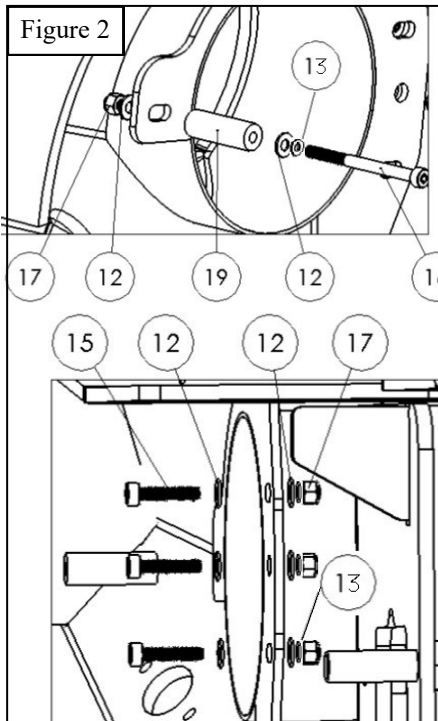
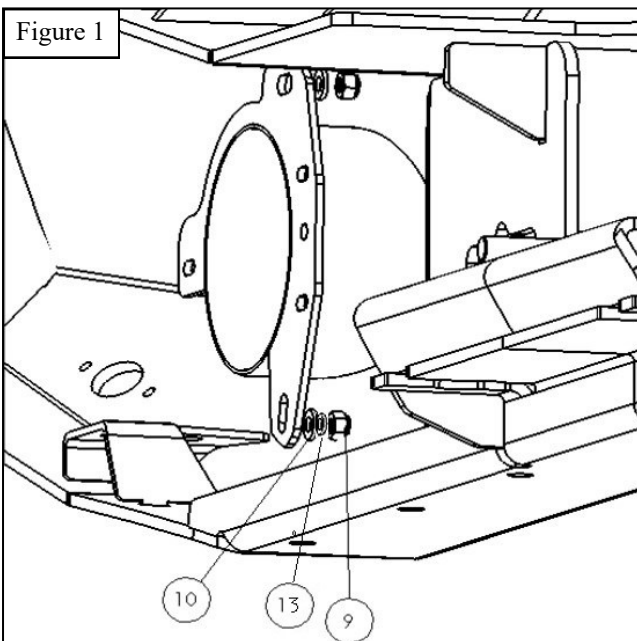


### FOG LIGHT INSTALLATION (Full-Width Bumper only)

**Factory Fog Lights (OEM Steel Bumpers):** Use the supplied M6 Flat Washer (Item 10) and Nylock Nut (Item 9) along with the factory hardware, secure the fog light to the bracket as shown in **Figure 1** for reference.

**Factory Fog Lights (OEM Plastic Bumpers):** Use the supplied M4 hardware to secure the bracket to the bumper. See **Figure 2** for reference. See **Page 4** for Rubicon Plastic Bumper applications. **Note:** Light not shown.

**Aftermarket Lights:** Use the universal mounting tab as shown in **Figure 3**. **Note:** Lights sold separately.



### FOG LIGHT INSTALL CONTINUED

**Rubicon Models w/ Plastic Bumpers:** If the vehicle is a Rubicon model with the OEM Plastic Bumper, you will need to use 3 Nylon Spacers (Item 19) and the supplied M4 Hardware to secure the light into place. See **Figure 4** for reference.

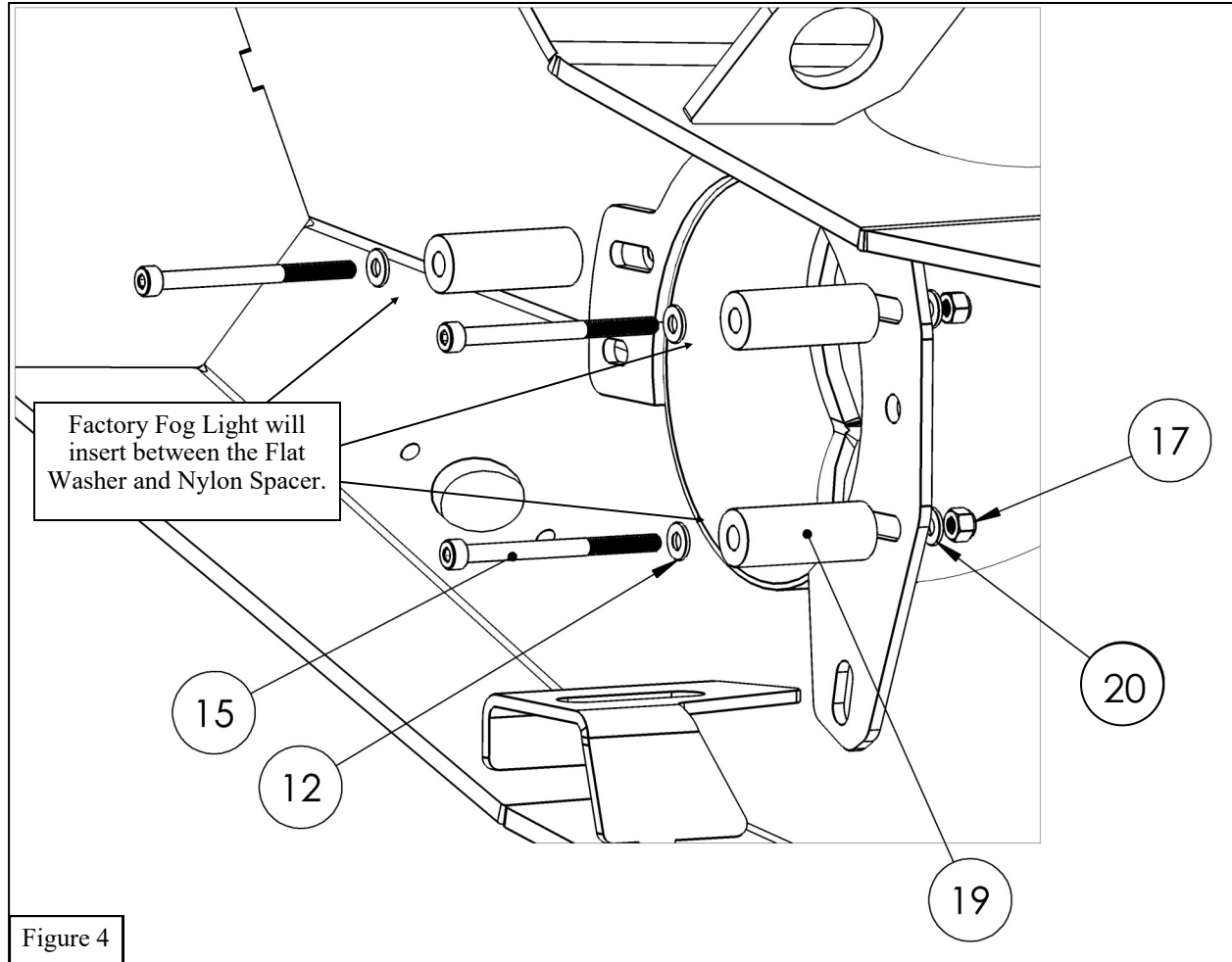


Figure 4

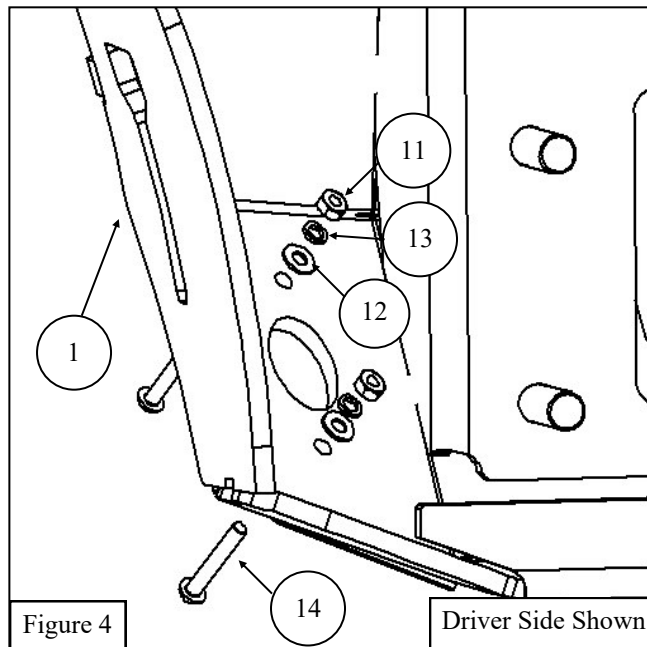
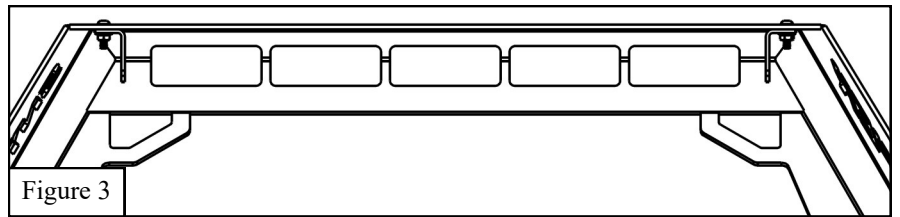
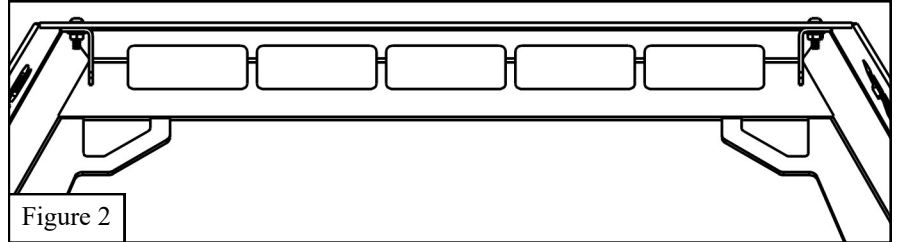
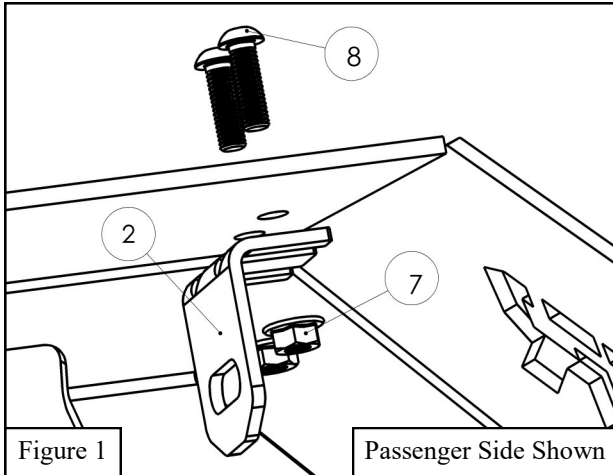


# LED Light Mounting Instructions

*Lights Sold Separately*

## 20 Inch LED Light Bar Installation (59-80125 Only)

1. Loosely install the LED mounting tabs (Item 2) to the front bumper assembly (Item 1) using the supplied M6 hardware (Items 7-8). See **Figure 1** for reference. **Note:** *The mounting tabs can be installed at a range of distances from one another in order to accommodate the width of the light bar. Figure 2 shows the mounting tabs arranged in a wide configuration while Figure 3 shows them arranged in a narrow configuration.*
2. Install light bar according to manufacturer's instructions.
3. Tighten and torque the M6 hardware to 5-7 ft-lbs.



## Rock Light Installation

Install lights in the lower corners of the bumper using supplied M4 hardware (Items 11-14). See **Figure 4** for reference.

**Note:** *Wire lights per manufacturer's instructions.*

**WESTIN**

Westin Automotive Products, Inc.  
320 W. Covina Blvd  
San Dimas, Ca. 91773

**Superwinch Talon Installation Instructions**

*If installing a Superwinch Talon, **TRIMMING OF FRAME IS REQUIRED.** Amount of trimming may vary depending on the vehicle. Use WJ2 bumper as trimming guide. Use **Figure 1** below as a reference. Install winch according to the manufacturer's installation instructions.*



Figure 1







## WARNING



Failure to follow these instructions could lead to death, personal injury, and / or property damage.

Failure to follow these instructions could lead to death, personal injury, and / or property damage.

### FASTENERS:

All Westin supplied fasteners must be utilized and installed in accordance with the installation instructions and apply torque to the specifications as defined. **DOUBLE CHECK ALL FASTENERS BEFORE INITIAL USE, AND PERIODICALLY IN THE FUTURE TO ENSURE PROPER FUNCTION AND SAFETY.**

### DRILLING:

Most Westin products do not require drilling for installation. If drilling is defined as required, use caution when drilling a vehicle. **FAILURE TO REVIEW AN AREA TO BE DRILLED MAY RESULT IN PERSONAL INJURY AND/OR INJURY TO OTHERS AS WELL AS VEHICLE DAMAGE.**

### EYE PROTECTION:

**ALWAYS WEAR SAFETY GLASSES OR GOGGLES DURING THE INSTALLATION PROCESS TO AVOID PERSONAL INJURY.**

### MAXIMUM TOWING/CARRYING CAPACITY: (if applicable)

The Westin Receiver Hitches will have a visible tow rating label affixed directly on the product. User should never exceed the vehicle manufacturers maximum tow and weight rating regardless of the capacity of the hitch. **FAILURE TO FOLLOW THESE GUIDELINES WILL VOID THE WESTIN WARRANTY AND MAY RESULT IN PERSONAL INJURY AND/OR INJURY TO OTHERS AS WELL AS VEHICLE DAMAGE.**

### FOR CALIFORNIA RESIDENTS ONLY-PROP 65 WARNING:

Some products may contain chemicals such as DEHP, which can cause cancer, birth defects or other reproductive harm. For more info go to [www.p65warnings.ca.gov](http://www.p65warnings.ca.gov)



Westin Automotive Products, Inc.  
320 W. Covina Blvd  
San Dimas, Ca. 91773