

# INSTALLATION INSTRUCTIONS

## WJ2 SPARE TIRE RELOCATOR



### APPLICATION:

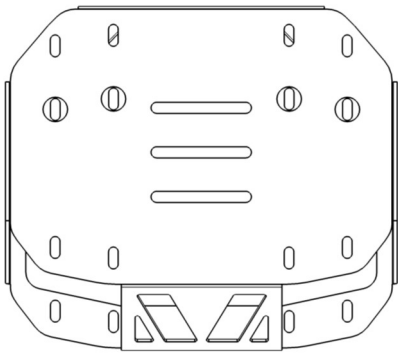
2018-2019 Jeep Wrangler JL 2dr/Wrangler JL Unlimited 4dr  
(Excl. Jeep JK)

### PART NUMBER:

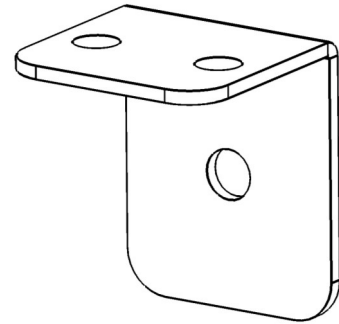
59-89005

CONTENT			
ITEM	QUANTITY	DESCRIPTION	TOOLS NEEDED
1	1	SPARE TIRE RELOCATOR	13MM SOCKET
2	2	ISOLATOR BRACKET	13MM WRENCH
3	12	M8 BUTTON HEAD BOLT	7/8" SOCKET
4	12	M8 FLAT WASHER	TORX BIT
5	12	M8 SERRATED FLANGE NUT	RATCHET
			TORQUE WRENCH

**ANTI-SEIZE LUBRICANT MUST BE USED ON ALL STAINLESS STEEL FASTENERS TO PREVENT THREAD DAMAGE AND GALLING**



ITEM 1



ITEM 2

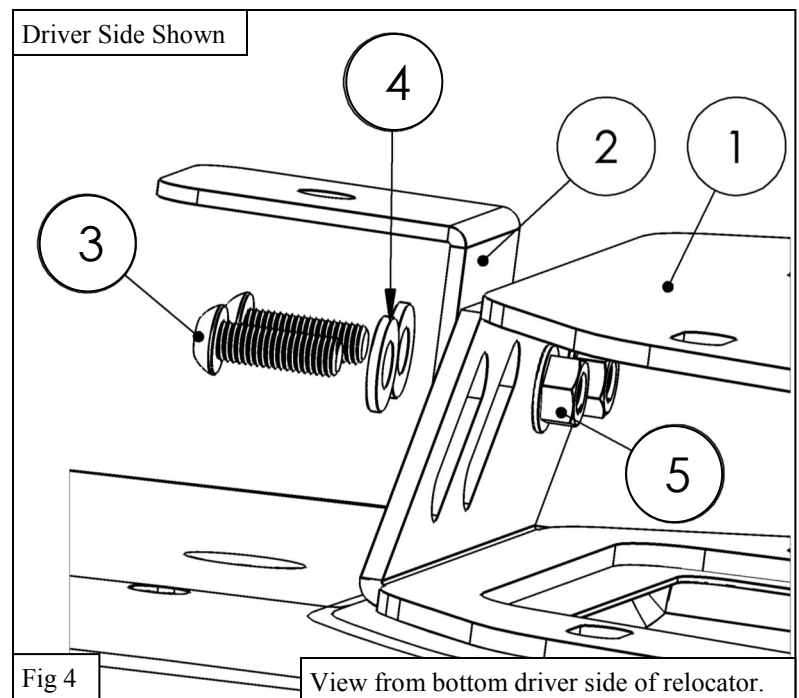
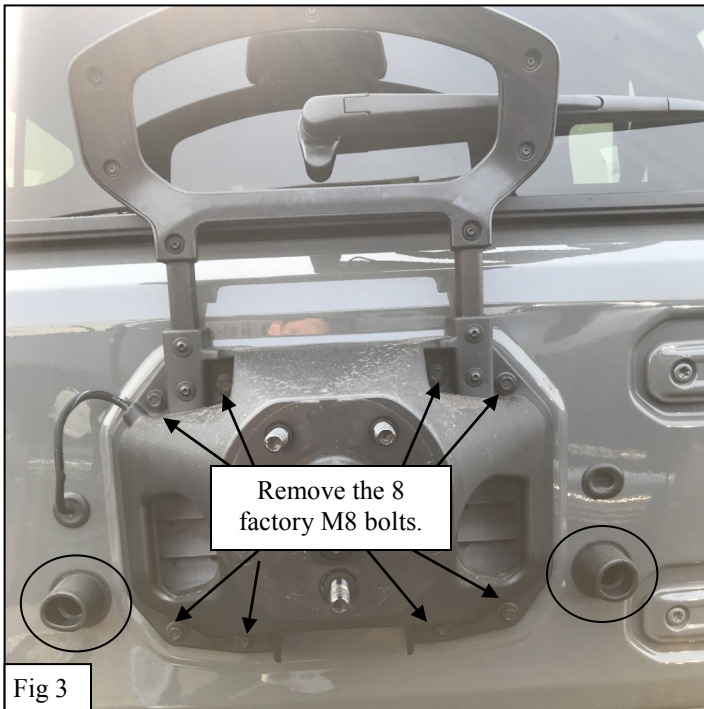
### PROCEDURE

1. Remove contents from box, verify if all parts listed are present and free from damage.  
Carefully read and understand all instructions before attempting installation.  
**Failure to identify damage before installation could lead to a rejection of any claim.**

- Remove the camera cover by turning the plastic screw to the unlocked position. See **Figure 1**.
- Remove the lug nuts from the spare using a 7/8" socket. See **Figure 2**.



- Remove the spare tire.
- Remove the 8 bolts securing the OEM tire carrier to the tailgate using a 13mm socket. Also remove the 2 rubber isolators. See **Figure 3**.
- Support the OEM tire carrier to make sure there is not too much strain on the camera wiring.
- Install the Isolator Brackets (2) to the Spare Tire Relocator (1) using the supplied M8 Hardware. See **Figure 4**.



8. Install the Spare Tire Relocator (1) onto the tailgate using the OEM Hardware in the same location as the OEM tire carrier. See **Figure 5**.
9. Reinstall the Rubber Isolators into the Isolator Brackets (2). See **Figure 6**.

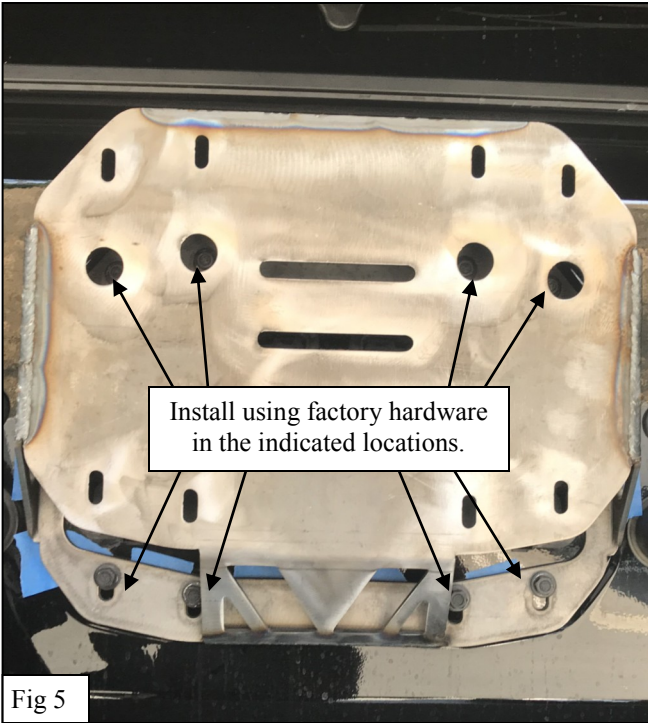


Fig 5

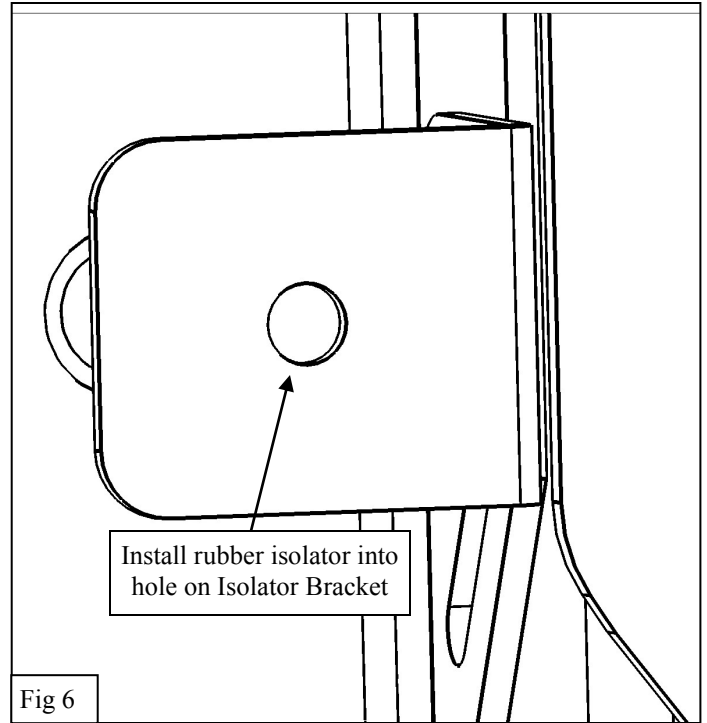


Fig 6

10. Install the OEM Tire Carrier onto the Spare Tire Relocator (1) using the provided M8 Hardware. See **Figures 7 & 8**. *Note: Be sure not to pinch the camera wiring upon install.*

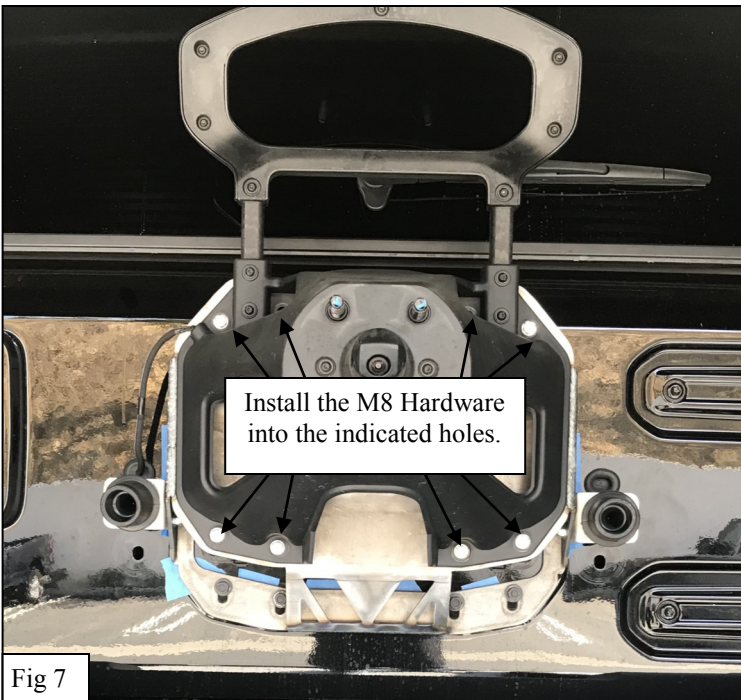


Fig 7

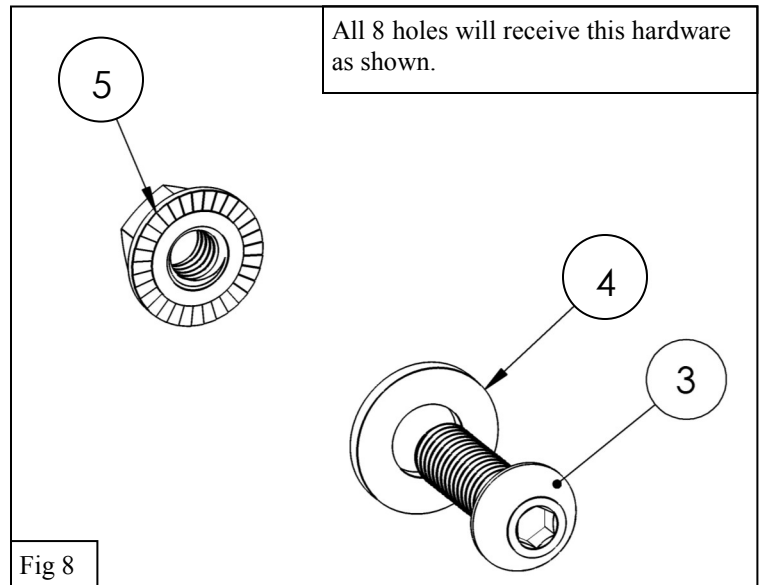
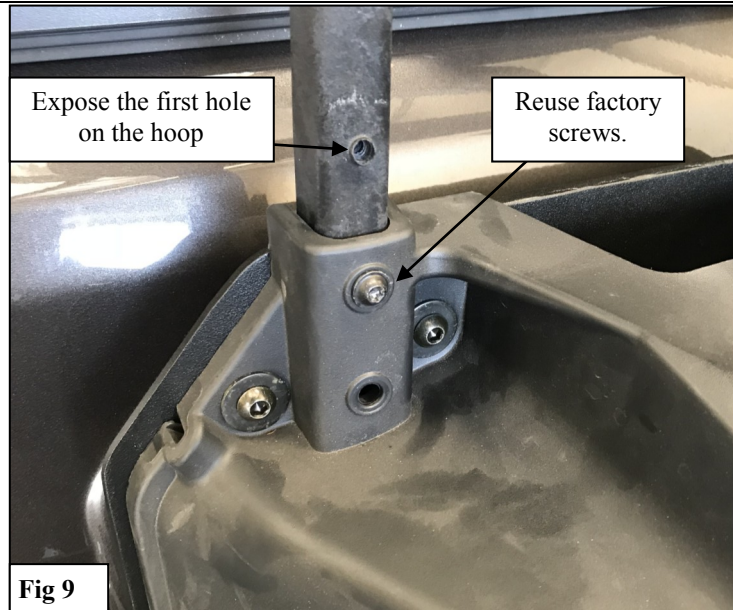


Fig 8

11. Torque all M8 Hardware to 14-18 ft-lbs.
12. Reinstall the spare tire and camera cover as removed.
13. Adjust the Isolator bracket as necessary in the slots to ensure the isolator is snug on the tire.

**NOTE:** If you are mounting an oversized tire, correction to the 3rd Brakelight is needed. Simply remove the screws for the Brakelight hoop, slide it up one hole and reuse the factory screws to secure it in place. See **Figure 9**.



#### CARE INSTRUCTIONS

- REGULAR WAXING IS RECOMMENDED. DO NOT USE ANY TYPE OF POLISH OR WAX THAT MAY CONTAIN ABRASIVES
- STAINLESS STEEL PRODUCTS CAN BE CLEANED WITH MILD SOAP AND WATER. STAINLESS STEEL POLISH SHOULD BE USED TO POLISH SMALL SCRATCHES.
- GLOSS BLACK FINISHES SHOULD BE CLEANED WITH MILD SOAP AND WATER

**WESTIN** Westin Automotive Products, Inc.  
320 W. Covina Blvd  
San Dimas, Ca. 91773

Thank you for choosing Westin products  
for additional installation assistance please call  
Customer Service (800) 793-7846



## WARNING



Failure to follow these instructions could lead to death, personal injury, and / or property damage.

Failure to follow these instructions could lead to death, personal injury, and / or property damage.

### FASTENERS:

All Westin supplied fasteners must be utilized and installed in accordance with the installation instructions and apply torque to the specifications as defined. **DOUBLE CHECK ALL FASTENERS BEFORE INITIAL USE, AND PERIODICALLY IN THE FUTURE TO ENSURE PROPER FUNCTION AND SAFETY.**

### DRILLING:

Most Westin products do not require drilling for installation. If drilling is defined as required, use caution when drilling a vehicle. **FAILURE TO REVIEW AN AREA TO BE DRILLED MAY RESULT IN PERSONAL INJURY AND/OR INJURY TO OTHERS AS WELL AS VEHICLE DAMAGE.**

### EYE PROTECTION:

**ALWAYS WEAR SAFETY GLASSES OR GOGGLES DURING THE INSTALLATION PROCESS TO AVOID PERSONAL INJURY.**

### MAXIMUM TOWING/CARRYING CAPACITY: (if applicable)

The Westin Receiver Hitches will have a visible tow rating label affixed directly on the product. User should never exceed the vehicle manufacturers maximum tow and weight rating regardless of the capacity of the hitch. **FAILURE TO FOLLOW THESE GUIDELINES WILL VOID THE WESTIN WARRANTY AND MAY RESULT IN PERSONAL INJURY AND/OR INJURY TO OTHERS AS WELL AS VEHICLE DAMAGE.**

### FOR CALIFORNIA RESIDENTS ONLY-PROP 65 WARNING:

Some products may contain chemicals such as DEHP, which can cause cancer, birth defects or other reproductive harm. For more info go to [www.p65warnings.ca.gov](http://www.p65warnings.ca.gov)



Westin Automotive Products, Inc.  
320 W. Covina Blvd  
San Dimas, Ca. 91773