

INSTALLATION INSTRUCTIONS

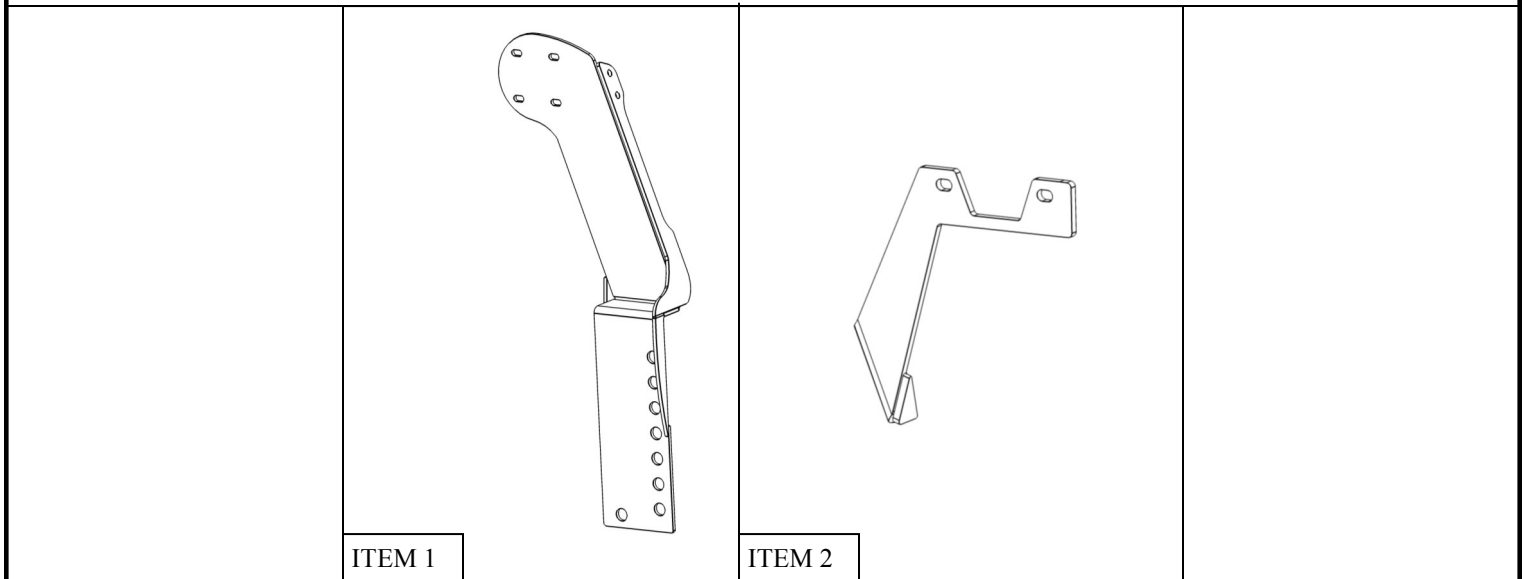
3RD BRAKELIGHT / ROTOPAX COMBO MOUNT



APPLICATION:
2007-2018 Jeep Wrangler JK
PART NUMBER:
59-89035

CONTENT			
ITEM	QUANTITY	DESCRIPTION	TOOLS NEEDED
1	1	ROTOPAX MOUNT	10MM WRENCH
2	1	LIGHT MOUNT	TORQUE WRENCH
3	2	M6 BUTTON HEAD BOLT	
4	2	M6 FLAT WASHER	
5	2	M6 SERRATED FLANGE NUT	
6	1	ALLEN WRENCH	

ANTI-SEIZE LUBRICANT MUST BE USED ON ALL STAINLESS STEEL FASTENERS TO PREVENT THREAD DAMAGE AND GALLING



PROCEDURE

1. Remove contents from box, verify if all parts listed are present and free from damage.
Carefully read and understand all instructions before attempting installation.
Failure to identify damage before installation could lead to a rejection of any claim.

2. If you already have a WJ2 Tire Carrier (sold separately) installed, you will need to remove your spare tire and the Tire Mount to install the RotoPax Mount.
3. Use the M12 Hardware from the WJ2 Tire Carrier to loosely install the RotoPax Mount (1). See **Figure 1**.
4. Use the supplied M6 Hardware to loosely install the Light Mount (2) to the RotoPax Mount (1). See **Figure 2**.

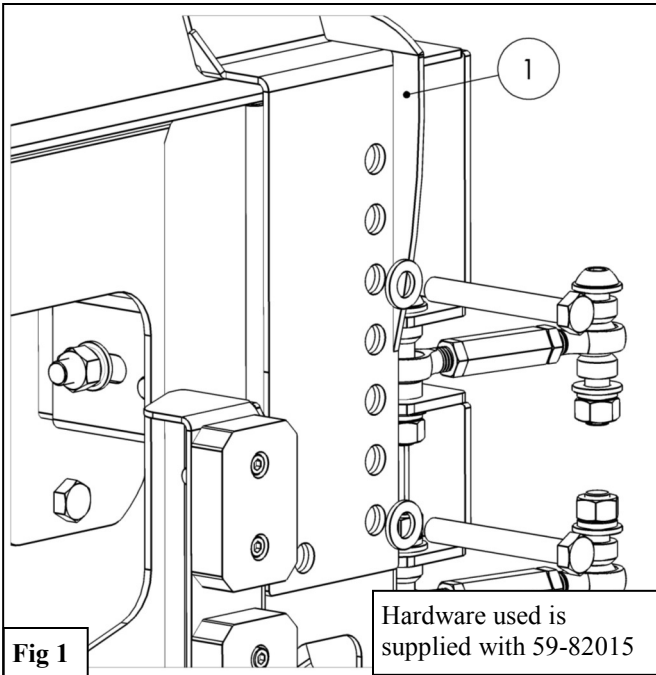


Fig 1

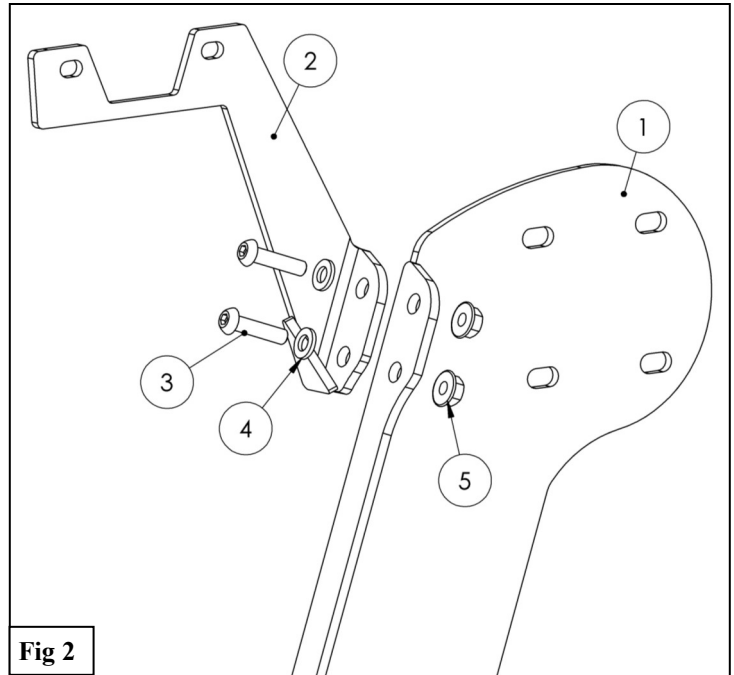


Fig 2

5. Use a small cutoff wheel to trim the OEM third brake light as indicated in **Figure 3**.
6. Use the factory screws to fasten the OEM third brake light to the Light Bracket (2). See **Figure 4**.

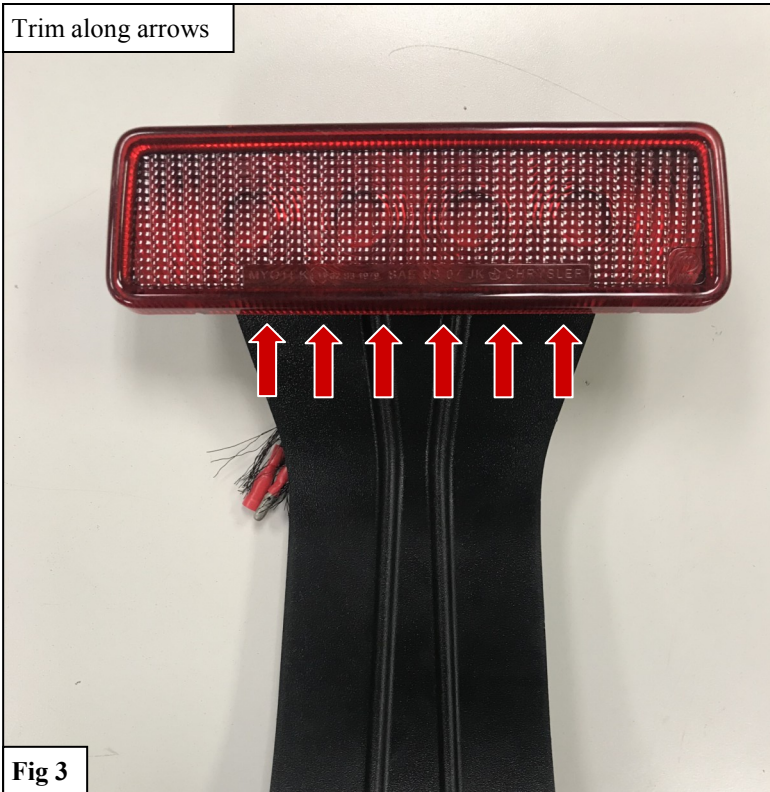


Fig 3

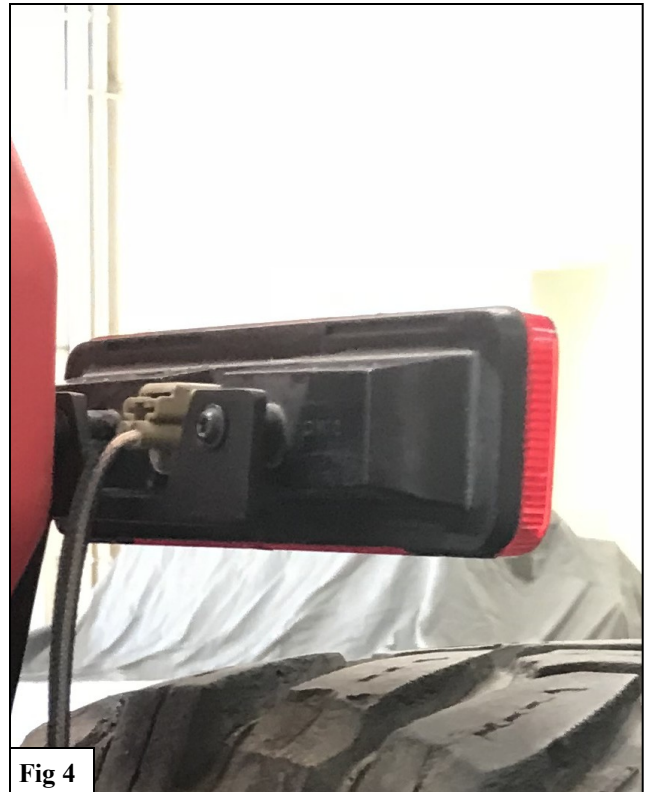


Fig 4

7. Once all mounts are loosely attached, attach the RotoPax and its supplied mounting flange (sold separately).
8. Adjust the brackets until the RotoPax is aligned as desired.
9. Torque all M6 hardware to 8ft-lbs.

INSTALLATION COMPLETE



Bumper, lights, tire carrier, RotoPax, and jack mount sold separately

CARE INSTRUCTIONS

- REGULAR WAXING IS RECOMMENDED. DO NOT USE ANY TYPE OF POLISH OR WAX THAT MAY CONTAIN ABRASIVES.
- STAINLESS STEEL PRODUCTS CAN BE CLEANED WITH MILD SOAP AND WATER. STAINLESS STEEL POLISH SHOULD BE USED TO POLISH SMALL SCRATCHES.
- GLOSS BLACK FINISHES SHOULD BE CLEANED WITH MILD SOAP AND WATER

WESTIN Westin Automotive Products, Inc.
320 W. Covina Blvd
San Dimas, Ca. 91773

Thank you for choosing Westin products
for additional installation assistance please call
Customer Service (800) 793-7846



WARNING



Failure to follow these instructions could lead to death, personal injury, and / or property damage.

Failure to follow these instructions could lead to death, personal injury, and / or property damage.

FASTENERS:

All Westin supplied fasteners must be utilized and installed in accordance with the installation instructions and apply torque to the specifications as defined. **DOUBLE CHECK ALL FASTENERS BEFORE INITIAL USE, AND PERIODICALLY IN THE FUTURE TO ENSURE PROPER FUNCTION AND SAFETY.**

DRILLING:

Most Westin products do not require drilling for installation. If drilling is defined as required, use caution when drilling a vehicle. **FAILURE TO REVIEW AN AREA TO BE DRILLED MAY RESULT IN PERSONAL INJURY AND/OR INJURY TO OTHERS AS WELL AS VEHICLE DAMAGE.**

EYE PROTECTION:

ALWAYS WEAR SAFETY GLASSES OR GOGGLES DURING THE INSTALLATION PROCESS TO AVOID PERSONAL INJURY.

MAXIMUM TOWING/CARRYING CAPACITY: (if applicable)

The Westin Receiver Hitches will have a visible tow rating label affixed directly on the product. User should never exceed the vehicle manufacturers maximum tow and weight rating regardless of the capacity of the hitch. **FAILURE TO FOLLOW THESE GUIDELINES WILL VOID THE WESTIN WARRANTY AND MAY RESULT IN PERSONAL INJURY AND/OR INJURY TO OTHERS AS WELL AS VEHICLE DAMAGE.**

FOR CALIFORNIA RESIDENTS ONLY-PROP 65 WARNING:

Some products may contain chemicals such as DEHP, which can cause cancer, birth defects or other reproductive harm. For more info go to www.p65warnings.ca.gov



Westin Automotive Products, Inc.
320 W. Covina Blvd
San Dimas, Ca. 91773