

# INSTALLATION INSTRUCTIONS

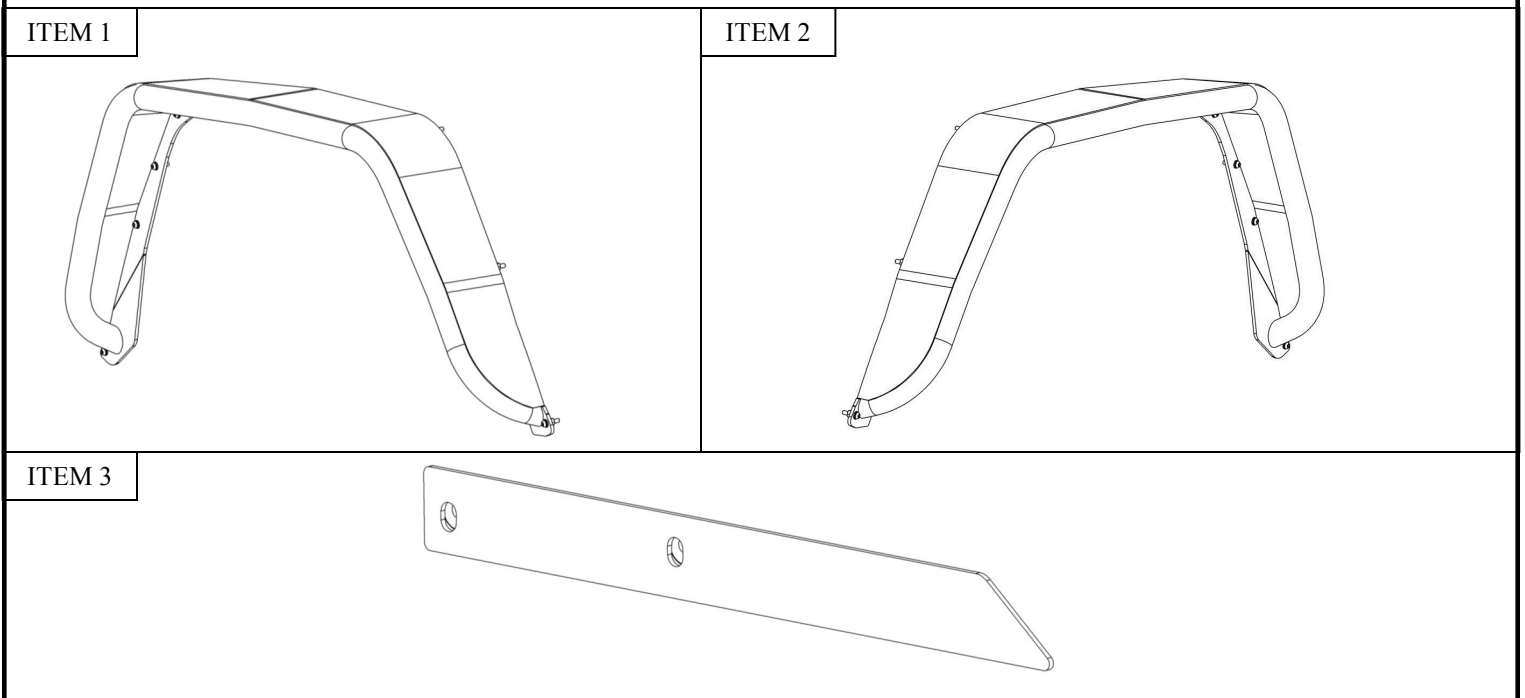
## REAR TUBULAR FENDERS



**APPLICATION:**  
2020 Jeep Gladiator  
**PART NUMBER:**  
62-1065

CONTENT			
ITEM	QUANTITY	DESCRIPTION	TOOLS NEEDED
1	1	DRIVER REAR FENDER	10MM SOCKET
2	1	PASSENGER REAR FENDER	10MM WRENCH
3	2	FILLER PANEL	ALLEN WRENCH
4	2	DOUBLE SIDED TAPE STRAIGHT	RATCHET
5	2	CURVED FRONT DOUBLE SIDED TAPE	TORQUE WRENCH
6	2	CURVED REAR DOUBLE SIDED TAPE	CUTTING TOOL
7	1	12 FT BLACK FENDER WELTING TRIM	
8	22	LONG M6 BUTTON HEAD BOLT	
9	48	M6 FLAT WASHER	
10	22	M6 SPLIT LOCK WASHER	
11	22	M6 HEX NUT	
12	4	SHORT M6 BUTTON HEAD BOLT	
13	4	M6 SERRATED FLANGE NUT	

**ANTI-SEIZE LUBRICANT MUST BE USED ON ALL STAINLESS STEEL FASTENERS TO PREVENT THREAD DAMAGE AND GALLING**



## PROCEDURE

1. Remove contents from box, verify if all parts listed are present and free from damage.  
Carefully read and understand all instructions before attempting installation.  
**Failure to identify damage before installation could lead to a rejection of any claim.**

**NOTE: Trimming may be needed if reusing the factory inner fenders!**

2. Starting on either side of vehicle. Remove plastic clips along the inner factory fender. Unbolt the 3 bolts on the inner fender as seen in **Figure 2**. Once all of the plastic clips are removed, carefully pull the factory fender flare off. See **Figures 1-4**
3. Remove any plastic clips that are still attached to the vehicle. **Note:** Clean fender area if needed.

Figure 1

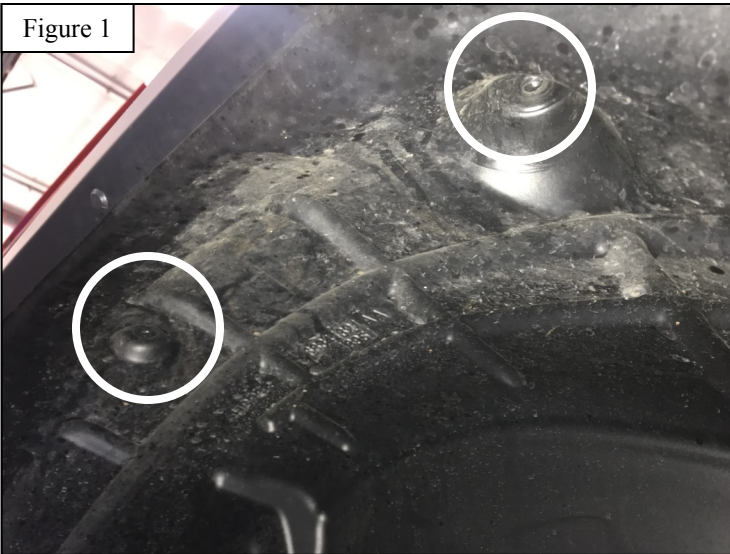


Figure 2

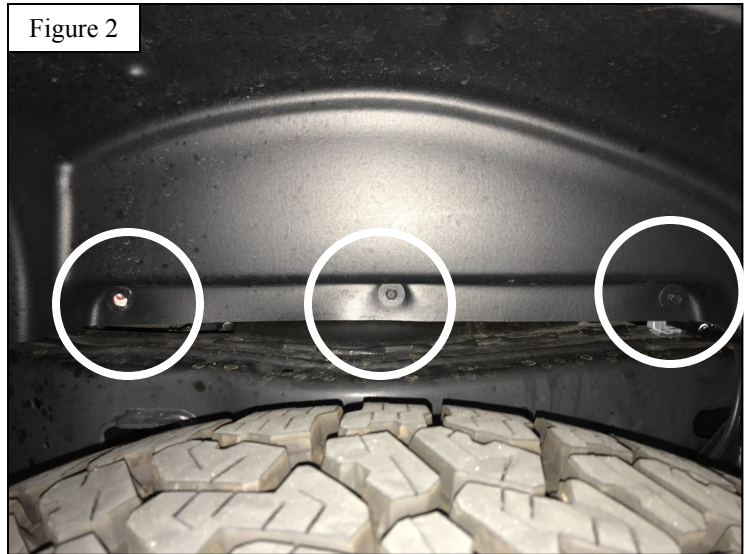


Figure 3

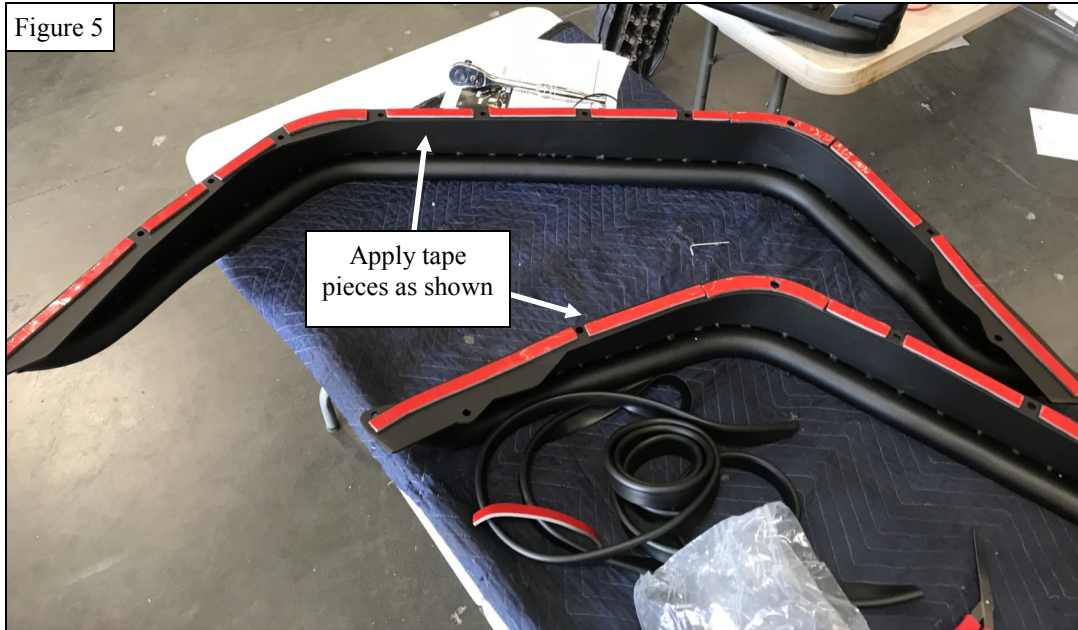


Figure 4

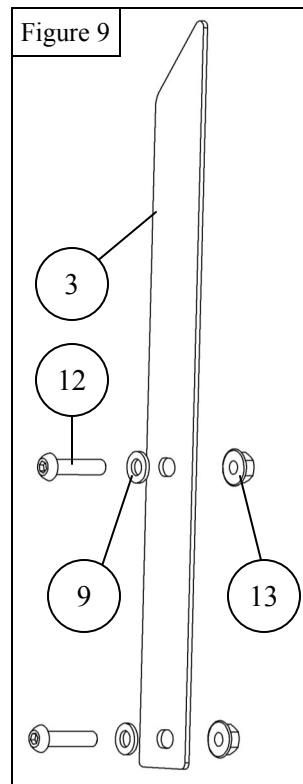
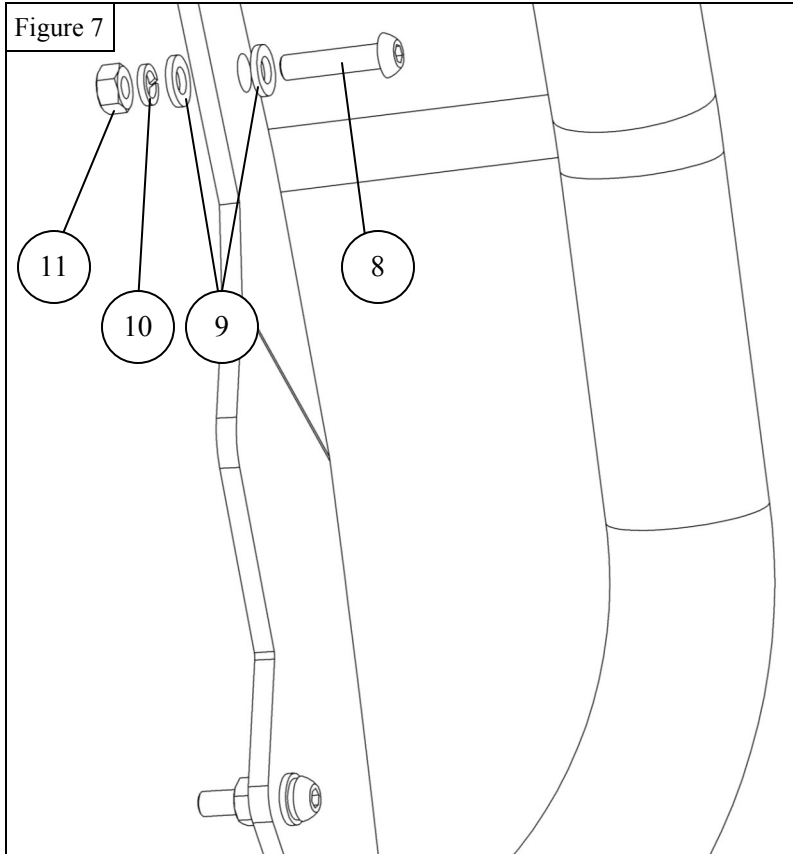




4. Locate 1 Rear Fender (Item 1/2), Black Welting (Item 7), and Double Sided Tape (Items 4-6). Attach double sided tape along the outer rear fender. Then attach the black welting on to the double sided tape. Refer to **Figure 5-6** .
- Note:** Trim welting to make sure that holes along the fender are not covered.
- Note 2:** The welting will require triangles to be cut into the flat portion to allow it to flex around the corners. Ensure that the rounded side of the welting is facing up when applied



5. Align Rear Fender with the vehicles fender area and loosely secure using the provided M6 hardware. Refer to **Figure 7**.
6. Assemble the Filler Panel (3) using the short M6 hardware. **See Figures 8-9**
7. Align and adjust Rear Fender as needed and then tighten hardware: M6 to 12 ft-lbs.





8. Repeat Steps 2-7 for the opposite side.
9. **Trimming may be needed if you are reusing the factory inner fenders.** Trim inner fenders as needed, if at all, and then re-install using the factory hardware.

**INSTALL COMPLETE**



#### CARE INSTRUCTIONS

- REGULAR WAXING IS RECOMMENDED. DO NOT USE ANY TYPE OF POLISH OR WAX THAT MAY CONTAIN ABRASIVES.
- STAINLESS STEEL PRODUCTS CAN BE CLEANED WITH MILD SOAP AND WATER. STAINLESS STEEL POLISH SHOULD BE USED TO POLISH SMALL SCRATCHES.
- GLOSS BLACK FINISHES SHOULD BE CLEANED WITH MILD SOAP AND WATER.

**WESTIN**

Westin Automotive Products, Inc.  
320 W. Covina Blvd  
San Dimas, Ca. 91773

Thank you for choosing Westin products  
for additional installation assistance please call  
Customer Service (800) 793-7846

[www.westinautomotive.com](http://www.westinautomotive.com)



## WARNING



Failure to follow these instructions could lead to death, personal injury, and / or property damage.

Failure to follow these instructions could lead to death, personal injury, and / or property damage.

### FASTENERS:

All Westin supplied fasteners must be utilized and installed in accordance with the installation instructions and apply torque to the specifications as defined. **DOUBLE CHECK ALL FASTENERS BEFORE INITIAL USE, AND PERIODICALLY IN THE FUTURE TO ENSURE PROPER FUNCTION AND SAFETY.**

### DRILLING:

Most Westin products do not require drilling for installation. If drilling is defined as required, use caution when drilling a vehicle. **FAILURE TO REVIEW AN AREA TO BE DRILLED MAY RESULT IN PERSONAL INJURY AND/OR INJURY TO OTHERS AS WELL AS VEHICLE DAMAGE.**

### EYE PROTECTION:

**ALWAYS WEAR SAFETY GLASSES OR GOGGLES DURING THE INSTALLATION PROCESS TO AVOID PERSONAL INJURY.**

### MAXIMUM TOWING/CARRYING CAPACITY: (if applicable)

The Westin Receiver Hitches will have a visible tow rating label affixed directly on the product. User should never exceed the vehicle manufacturers maximum tow and weight rating regardless of the capacity of the hitch. **FAILURE TO FOLLOW THESE GUIDELINES WILL VOID THE WESTIN WARRANTY AND MAY RESULT IN PERSONAL INJURY AND/OR INJURY TO OTHERS AS WELL AS VEHICLE DAMAGE.**

### FOR CALIFORNIA RESIDENTS ONLY-PROP 65 WARNING:

Some products may contain chemicals such as DEHP, which can cause cancer, birth defects or other reproductive harm. For more info go to [www.p65warnings.ca.gov](http://www.p65warnings.ca.gov)



Westin Automotive Products, Inc.  
320 W. Covina Blvd  
San Dimas, Ca. 91773

Thank you for choosing Westin products  
for additional installation assistance please call  
Customer Service (800) 793-7846

[www.westinautomotive.com](http://www.westinautomotive.com)