

INSTALLATION INSTRUCTIONS

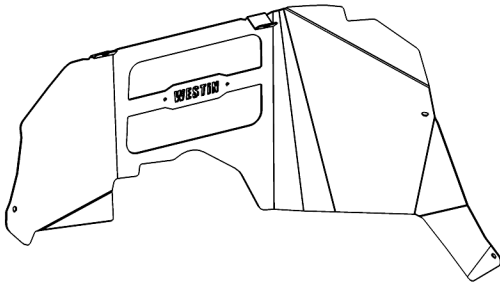
FRONT INNER FENDERS



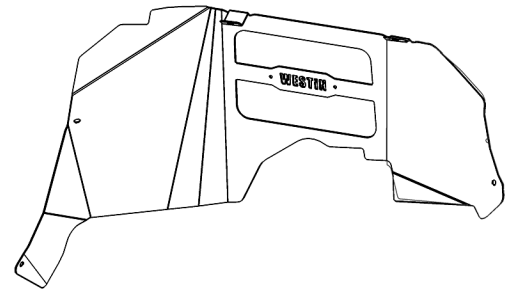
APPLICATION:
2018-2019 Jeep Wrangler JL
PART NUMBER:
62-11025

CONTENT			
ITEM	QUANTITY	DESCRIPTION	TOOLS NEEDED
1	1	DRIVER SIDE INNER FENDER	10MM SOCKET
2	1	PASSENGER SIDE INNER FENDER	RATCHET
3,4	2	FRONT BRACKET (DRIVER, PASSENGER)	TORQUE WRENCH
5,6	2	REAR BRACKET (DRIVER, PASSENGER)	ALLEN WRENCH
7	4	M6 NUT PLATE	
8	6	M6 SERRATED FLANGE NUT	
9	4	M6 HEX HEAD CAP SCREW	
10	10	M6 BUTTON HEAD SCREW	
11	14	M6 SPLIT LOCK WASHER	
12	14	M6 FLAT WASHER	
13	4	M6 U-CLIP	

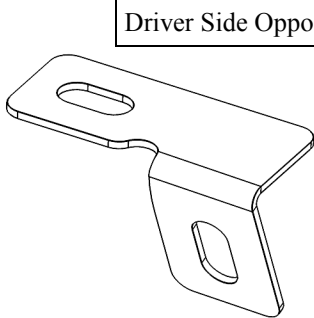
ANTI-SEIZE LUBRICANT MUST BE USED ON ALL STAINLESS STEEL FASTENERS TO PREVENT THREAD DAMAGE AND GALLING



ITEM 1

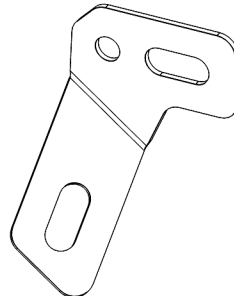


ITEM 2



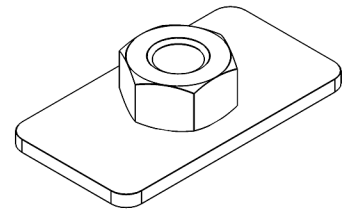
ITEM 4

Driver Side Opposite



ITEM 6

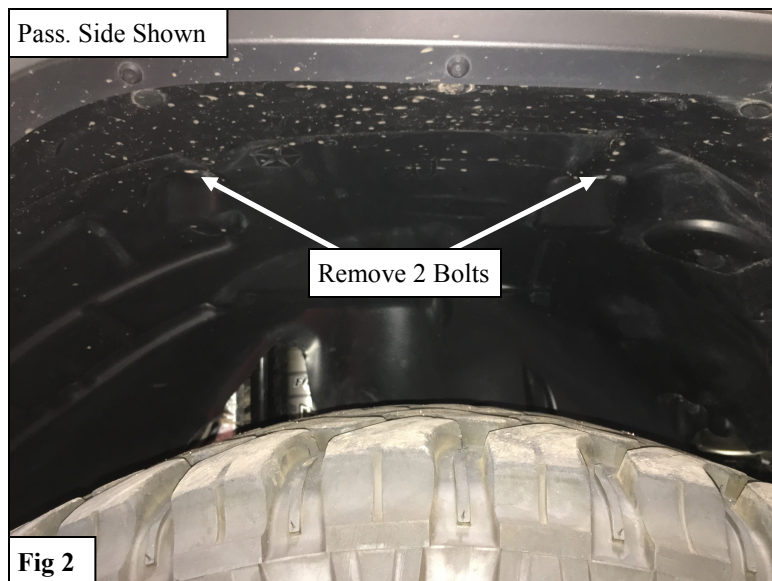
Driver Side Opposite



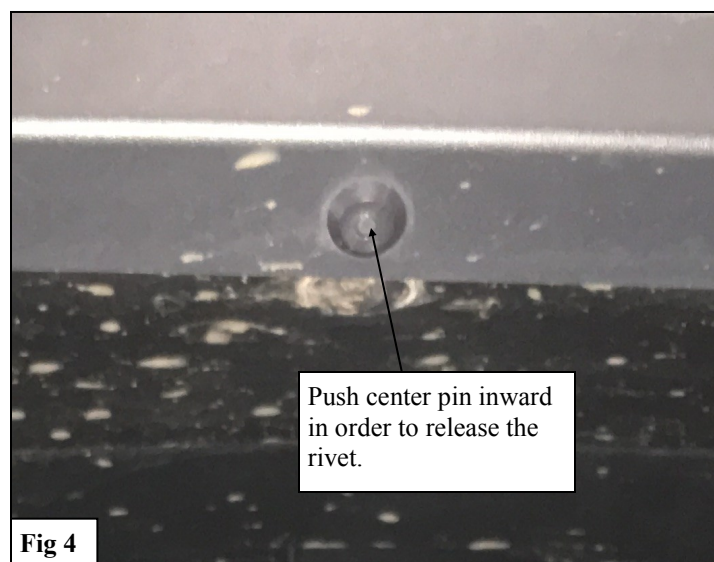
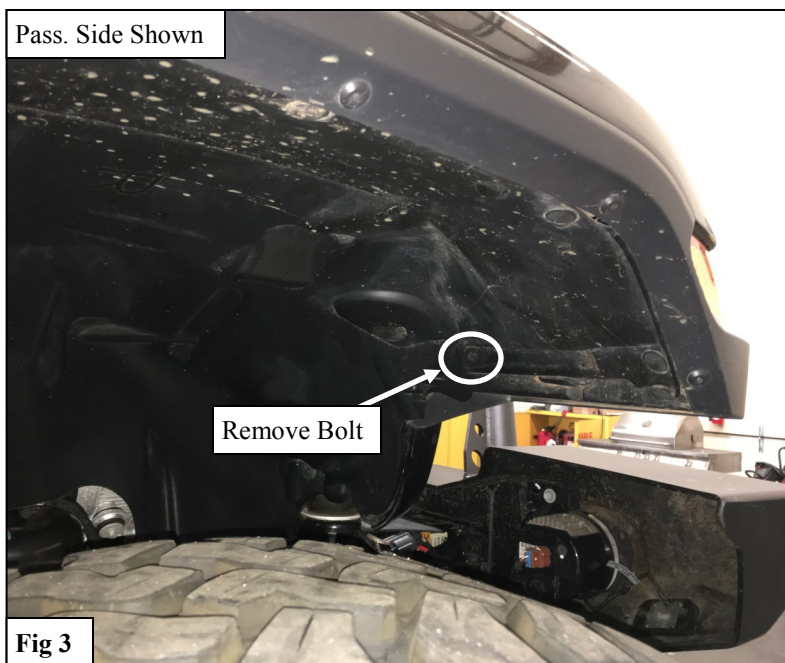
ITEM 1

PROCEDURE

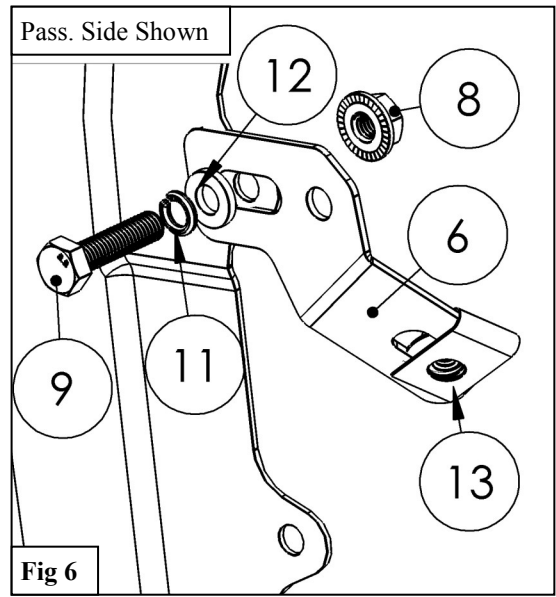
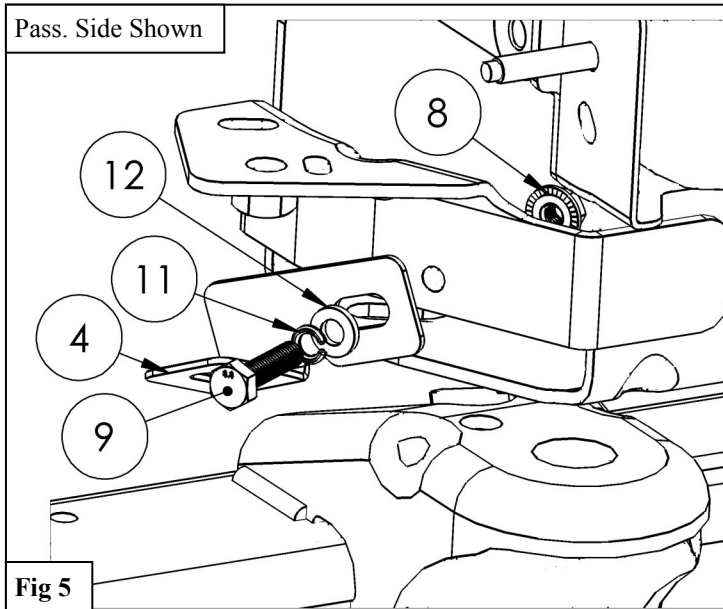
1. Remove contents from box, verify if all parts listed are present and free from damage. Carefully read and understand all instructions before attempting installation.
Failure to identify damage before installation could lead to a rejection of any claim.
2. Remove the OEM Inner Liners as shown in **Steps 3-4**. If using the Westin Tube Fenders, skip to **Step 5** once Westin Fenders are installed.
3. Remove the push pins and fasteners shown in **Figures 1-3**.



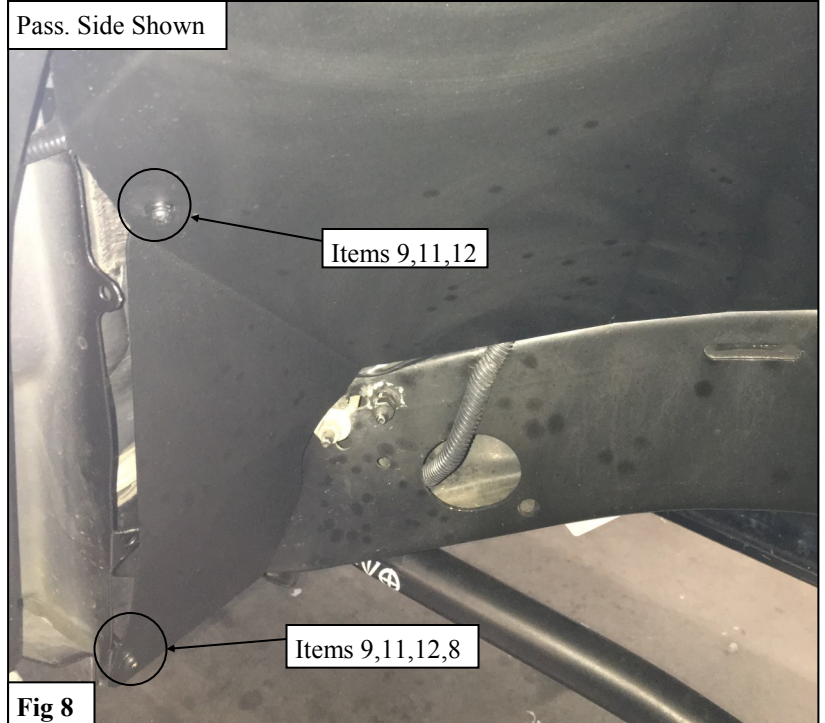
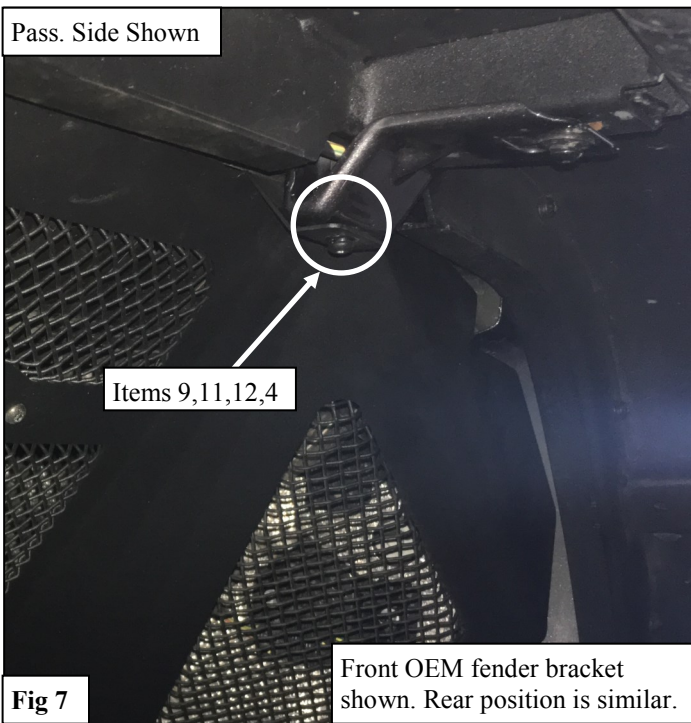
4. Remove the plastic rivets along the fender as necessary by pushing in the center of the rivet, releasing the rivet. See **Figure 4**. You may then remove the Inner Fender.



- Loosely install the Front Bracket (1,2) using the supplied M6 Hex Head Screw (9), M6 Lock Washer (11), M6 Flat Washer (12), and M6 Flange Nut (8). Also, install an M6 U-Clip (13) to the bracket. See **Figure 5**.
- Loosely install the Rear Bracket (5,6) to the rear end of the fender well using the same hardware as the Front Bracket (3,4). Also, install an M6 U-Clip (13) to the bracket. See **Figure 6**.



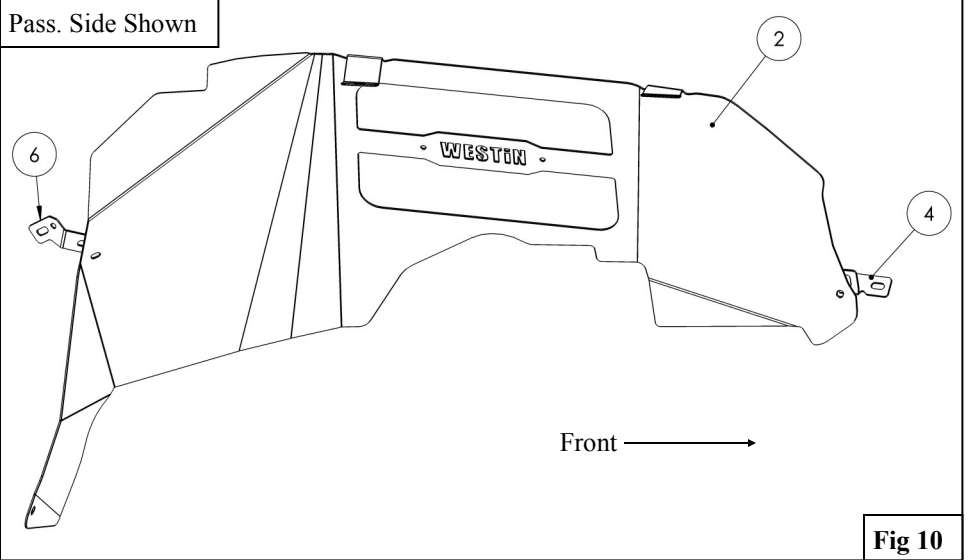
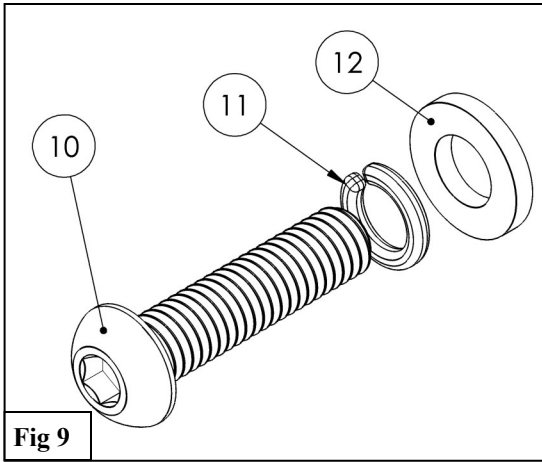
- The two top mounting tabs will secure to the OEM fender brackets using the supplied M6 Button Head Screw (10), M6 Lock Washer (11), M6 Flat Washer (12), and M6 Nut Plate (4). See **Figure 7**. *Note: Install the Nut Plate first for easier install.*
- Position the Inner Fender (1,2). Secure the lower rear mounting location to the existing tab on the vehicle using the supplied M6 Button Head Screw (10), M6 Lock Washer (11), M6 Flat Washer (12), and M6 Flange Nut (8). See **Figure 8**. *Note: See Page 5 for driver side instructions regarding the coolant tank.*



9. All other mounting holes on the Inner Fender will receive the supplied M6 Button Head Screw (10), M6 Lock Washer (11), M6 Flat Washer (12). See **Figure 9**.

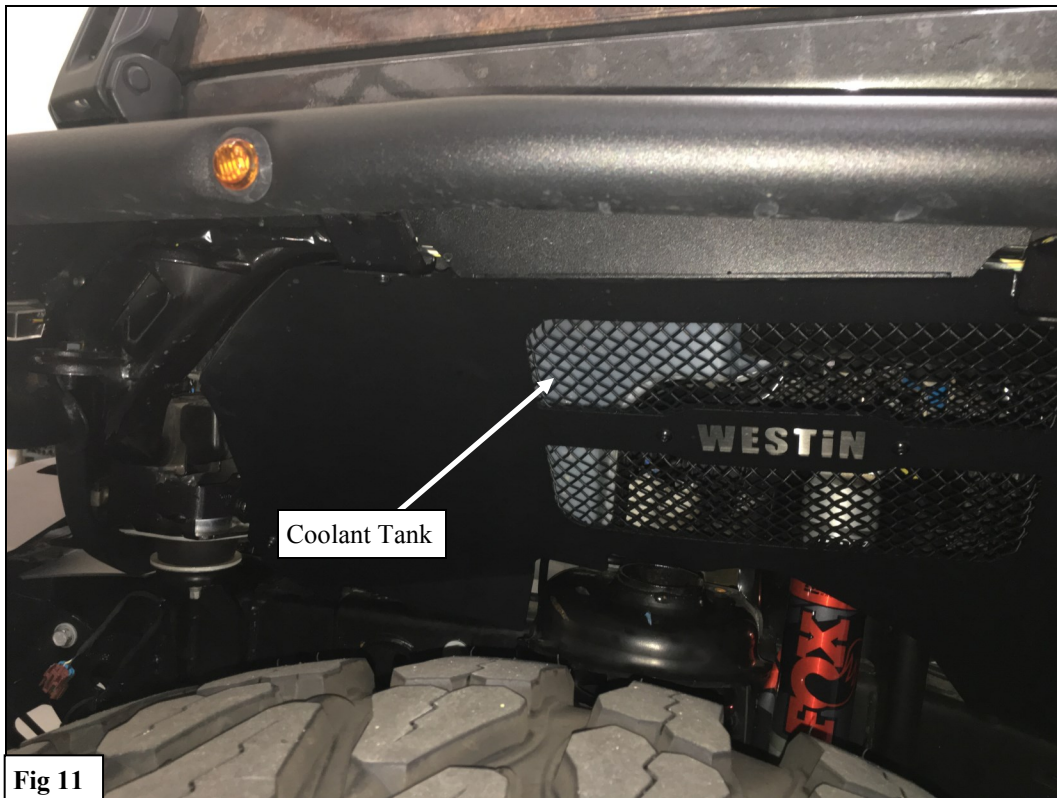
10. See **Figure 10** for an overview of bracket positions.

11. Torque all M6 Hardware to 7 ft-lbs.



NOTICE!

Make sure the driver side Inner Fender (1) is pushed all the way in properly. See **Figure 11**.



INSTALLATION COMPLETE

Tube fender sold separately



CARE INSTRUCTIONS

- REGULAR WAXING IS RECOMMENDED. DO NOT USE ANY TYPE OF POLISH OR WAX THAT MAY CONTAIN ABRASIVES.
- STAINLESS STEEL PRODUCTS CAN BE CLEANED WITH MILD SOAP AND WATER. STAINLESS STEEL POLISH SHOULD BE USED TO POLISH SMALL SCRATCHES.
- GLOSS BLACK FINISHES SHOULD BE CLEANED WITH MILD SOAP AND WATER

WESTIN

Westin Automotive Products, Inc.
320 W. Covina Blvd
San Dimas, Ca. 91773

Thank you for choosing Westin products
for additional installation assistance please call
Customer Service (800) 793-7846

www.westinautomotive.com



WARNING



Failure to follow these instructions could lead to death, personal injury, and / or property damage.

Failure to follow these instructions could lead to death, personal injury, and / or property damage.

FASTENERS:

All Westin supplied fasteners must be utilized and installed in accordance with the installation instructions and apply torque to the specifications as defined. **DOUBLE CHECK ALL FASTENERS BEFORE INITIAL USE, AND PERIODICALLY IN THE FUTURE TO ENSURE PROPER FUNCTION AND SAFETY.**

DRILLING:

Most Westin products do not require drilling for installation. If drilling is defined as required, use caution when drilling a vehicle. **FAILURE TO REVIEW AN AREA TO BE DRILLED MAY RESULT IN PERSONAL INJURY AND/OR INJURY TO OTHERS AS WELL AS VEHICLE DAMAGE.**

EYE PROTECTION:

ALWAYS WEAR SAFETY GLASSES OR GOGGLES DURING THE INSTALLATION PROCESS TO AVOID PERSONAL INJURY.

MAXIMUM TOWING/CARRYING CAPACITY: (if applicable)

The Westin Receiver Hitches will have a visible tow rating label affixed directly on the product. User should never exceed the vehicle manufacturers maximum tow and weight rating regardless of the capacity of the hitch. **FAILURE TO FOLLOW THESE GUIDELINES WILL VOID THE WESTIN WARRANTY AND MAY RESULT IN PERSONAL INJURY AND/OR INJURY TO OTHERS AS WELL AS VEHICLE DAMAGE.**

FOR CALIFORNIA RESIDENTS ONLY-PROP 65 WARNING:

Some products may contain chemicals such as DEHP, which can cause cancer, birth defects or other reproductive harm. For more info go to www.p65warnings.ca.gov



Westin Automotive Products, Inc.
320 W. Covina Blvd
San Dimas, Ca. 91773