

INSTALLATION INSTRUCTIONS



A-PILLAR LED LIGHT MOUNT KIT

APPLICATION:

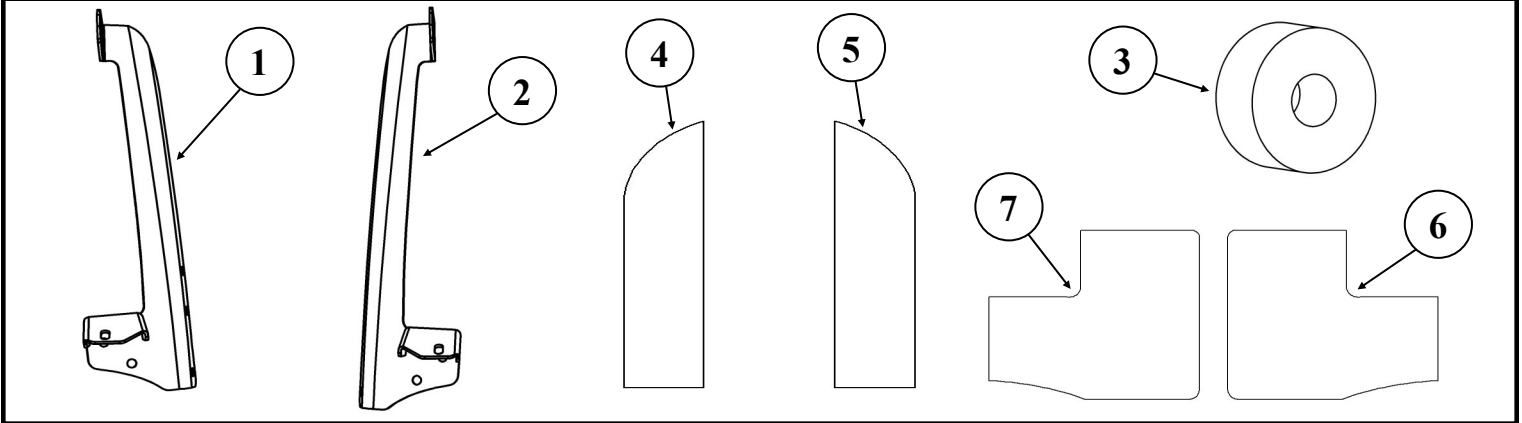
2007-2018 Jeep Wrangler JK (Excl. JL)

PART NUMBER:

62-41035

ITEM	QUANTITY	DESCRIPTION	TOOLS NEEDED
1	1	DRIVER SIDE A-PILLAR MOUNTING BRACKET	8MM SOCKET
2	1	PASSENGER SIDE A-PILLAR MOUNTING BRACKET	ALLEN KEY
3	2	SPACER	T-40 TORX WRENCH
4	1	DRIVER SIDE LED UPPER A-PILLAR GASKET	RATCHET
5	1	PASSENGER SIDE LED UPPER A-PILLAR GASKET	TORQUE WRENCH
6	1	DRIVER SIDE LED LOWER A-PILLAR GASKET	
7	1	PASSENGER LED LOWER A-PILLAR GASKET	
8	10	M8 HEX SOCKET BUTTON HEAD SCREW (STAINLESS STEEL)	
9	10	M8 CUP WASHER (STAINLESS STEEL)	
10	2	M8 HEX HEAD CAP SCREW (STAINLESS STEEL)	
11	2	M8 SPLIT LOCK WASHER (STAINLESS STEEL)	

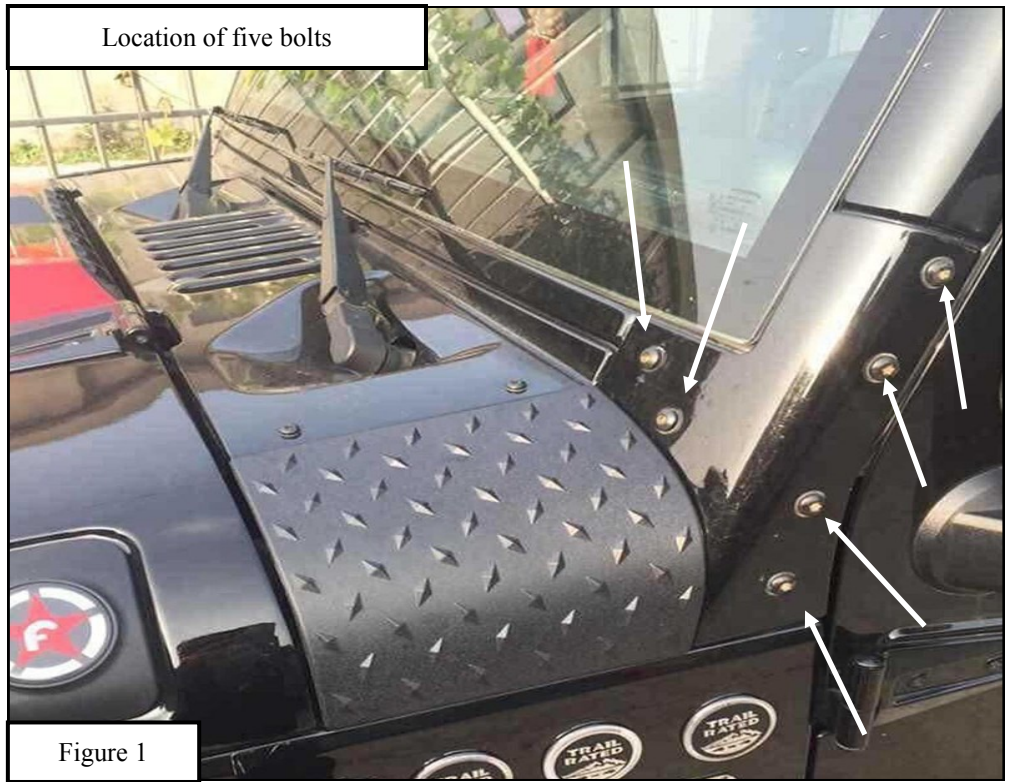
ANTI-SEIZE LUBRICANT MUST BE USED ON ALL STAINLESS STEEL FASTENERS TO PREVENT THREAD DAMAGE AND GALLING



PROCEDURE

1. Remove contents from box, verify if all parts listed are present and free from damage. Carefully read and understand all instructions before attempting installation.
Failure to identify damage before installation could lead to a rejection of any claim.

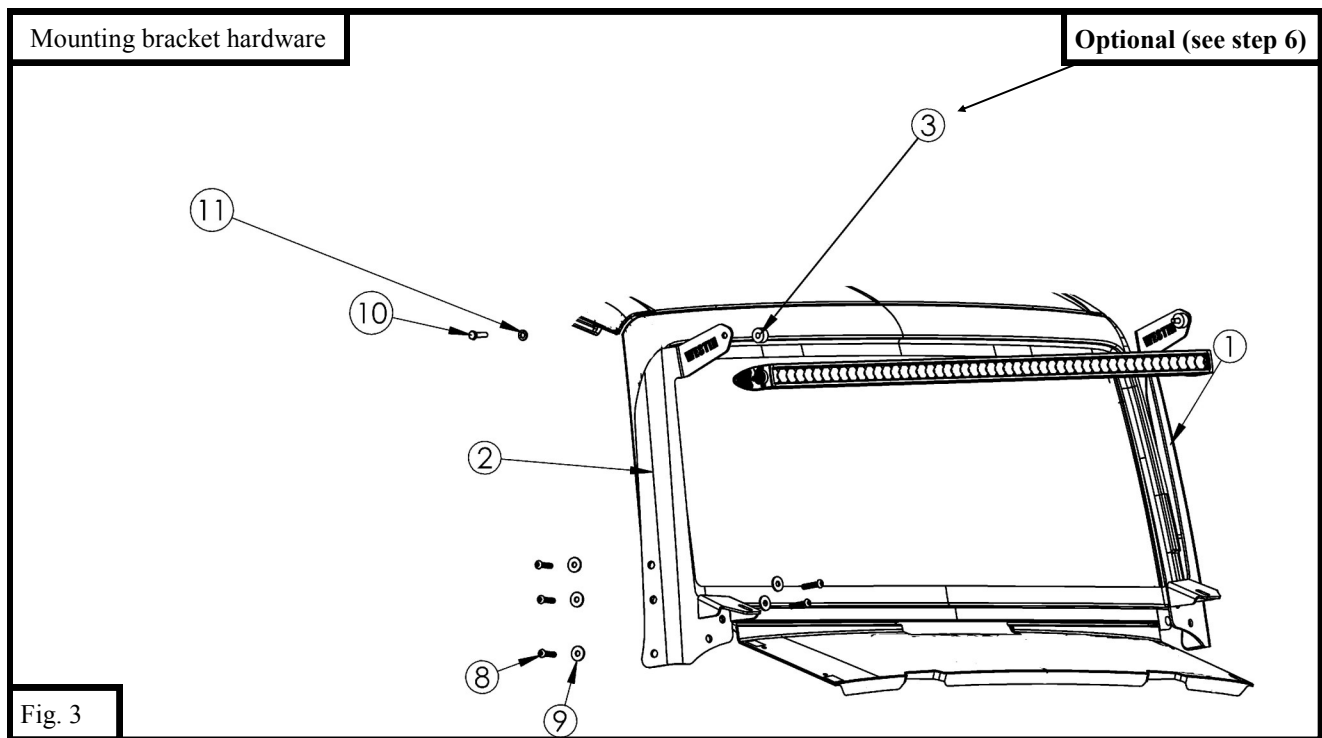
2. Starting on the drivers side of the vehicle, locate and remove the five existing bolts located on the A-pillar using a T-40 torx driver bit. See **Figure 1**.



3. Locate the driver side upper A-pillar gasket, lower A-pillar gasket, and mounting bracket. Place both gaskets onto the mounting bracket as shown in **Figure 2** and cut out the five holes on the lower A-pillar gasket to allow re-installment of the five bolts.



4. Align the five holes of the mounting bracket with the corresponding holes on the A-pillar. Loosely attach the bracket using (5) M8 Hex socket button head screws and (5) M8 cup washers. Do not fully tighten at this time. See **Figure 3**.
5. Repeat steps 2-4 for passenger side.
6. To install the light bar, with the help of an assistant, carefully lift the light bar and position it between the two pillar mounting brackets. Align the holes on both ends of the light bar with the upper pillar mounting tabs. **Note:** Some light bars require the use of the supplied spacers and the use of the (2) supplied M8 hex head cap screws to fully span the distance between the brackets.
7. Align and adjust the light bar as needed and then fully tighten all hardware at this time. Torque all M8 fasteners to 15-18 ft-lbs.
8. Refer to **Figure 4** for a picture showing the complete assembly of the A-pillar LED mount kit.





INSTALLATION COMPLETE

CARE INSTRUCTIONS

- REGULAR WAXING IS RECOMMENDED. DO NOT USE ANY TYPE OF POLISH OR WAX THAT MAY CONTAIN ABRASIVES.
- STAINLESS STEEL PRODUCTS CAN BE CLEANED WITH MILD SOAP AND WATER. STAINLESS STEEL POLISH SHOULD BE USED TO POLISH SMALL SCRATCHES.
- GLOSS BLACK FINISHES SHOULD BE CLEANED WITH MILD SOAP AND WATER.

WESTIN

Westin Automotive Products, Inc.
320 W. Covina Blvd
San Dimas, Ca. 91773

Thank you for choosing Westin products
for additional installation assistance please call
Customer Service (800) 793-7846
www.westinautomotive.com



WARNING



Failure to follow these instructions could lead to death, personal injury, and / or property damage.

FASTENERS:

All Westin supplied fasteners must be utilized and installed in accordance with the installation instructions and apply torque to the specifications as defined. **DOUBLE CHECK ALL FASTENERS BEFORE INITIAL USE, AND PERIODICALLY IN THE FUTURE TO ENSURE PROPER FUNCTION AND SAFETY.**

DRILLING:

Most Westin products do not require drilling for installation. If drilling is defined as required, use caution when drilling a vehicle. **FAILURE TO REVIEW AN AREA TO BE DRILLED MAY RESULT IN PERSONAL INJURY AND/OR INJURY TO OTHERS AS WELL AS VEHICLE DAMAGE.**

EYE PROTECTION:

ALWAYS WEAR SAFETY GLASSES OR GOGGLES DURING THE INSTALLATION PROCESS TO AVOID PERSONAL INJURY.

MAXIMUM TOWING/CARRYING CAPACITY:

The Westin Receiver Hitches will have a visible tow rating label affixed directly on the product. User should never exceed the vehicle manufacturers maximum tow and weight rating regardless of the capacity of the hitch. **FAILURE TO FOLLOW THESE GUIDELINES WILL VOID THE WESTIN WARRANTY AND MAY RESULT IN PERSONAL INJURY AND/OR INJURY TO OTHERS AS WELL AS VEHICLE DAMAGE.**